

DRAWN BY : XXX

DATE : XX/XX/XX

JOB NO : XXXXX

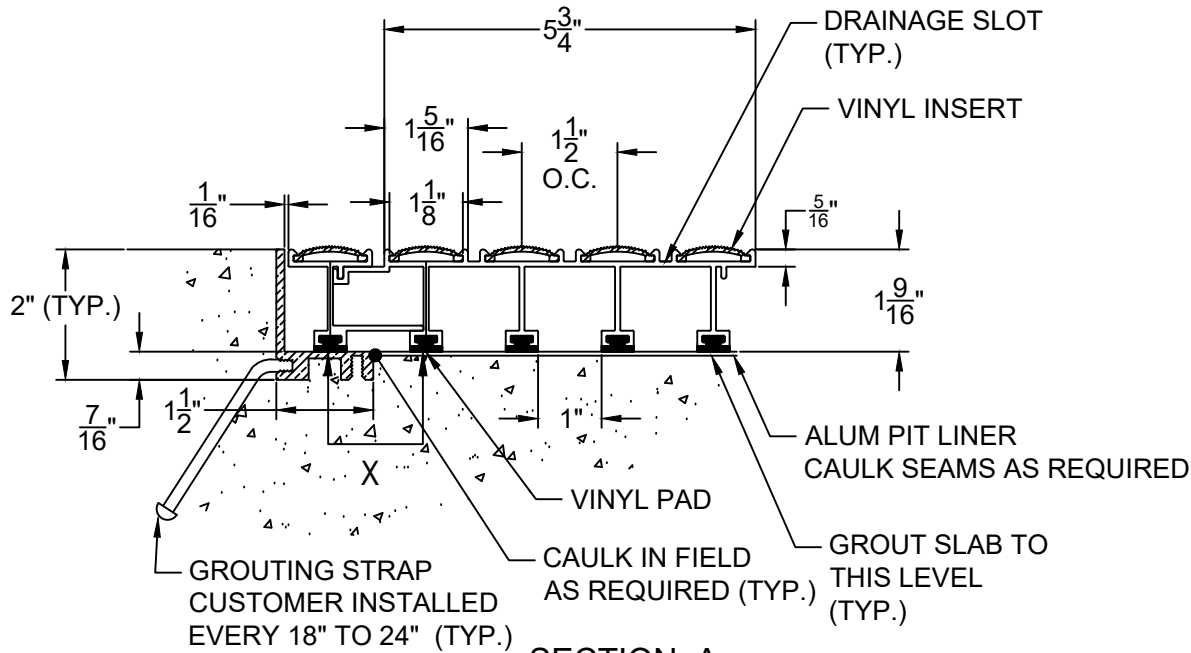
SHEET X OF X

PROJECT : XXXXXXXX

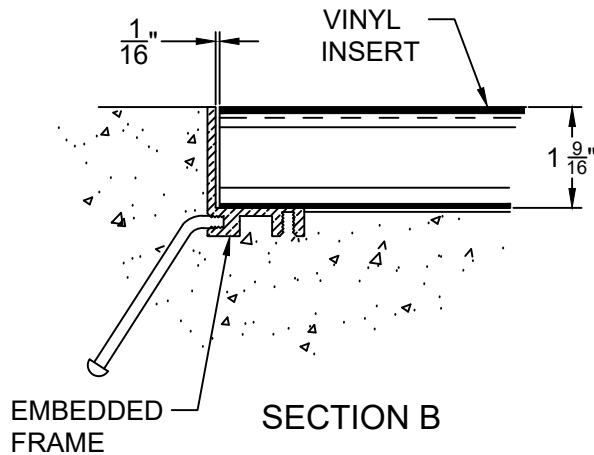
VP LEVELBED ALUM FRAME DRAIN PAN

MODEL : KDVP ALUM ENTRANCE GRID W/ VINYL INSERTS, EMBEDDED ALUM FRAME, PIT LINER - LEVEL BED APPLICATION

- 1) ASSEMBLE FRAMES IN FIELD
- 2) PREPARE PIT FOR COPLANAR INSTALLATION OF PIT LINER(Detail X)



SECTION A



SECTION B

DRAIN PAN DIMENSIONS FOR REFERENCE ONLY; CUT TO FIT.



8333 BOYLE PARKWAY TWINSBURG, OHIO 44087  
 (800) 321-3827 TEL (440) 439-8650 FAX (440) 439-6889

STANDARD SPECIFICATIONS :

1. MAT SURFACE : VINYL TREADS ARE MADE OF PVC, SERRATED, NON-SLIP SURFACE WITH A CONVEX DESIGN.
2. GRID MATERIAL : EXTRUDED ALUMINUM (ALLOY 6063-T6)
3. FRAMES: EXTRUDED ALUMINUM (ALLOY 6063-T6)
4. FILLER (AS REQUIRED) : EXTRUDED BLACK VINYL
5. MANUFACTURING TOLERANCES :

FRAME: +0" / -0.125"  
 MAT: + 0" / - 0.125"

NOTE :

FRAME FINISH : MILL

GRID FINISH : MILL

VINYL COLOR :