

DRAWN BY : XXX

DATE : XX/XX/XX

JOB NO : XXXXX

SHEET XX OF XX

PROJECT : XXXXXXXX

VP PIT ALUM FRAME STD



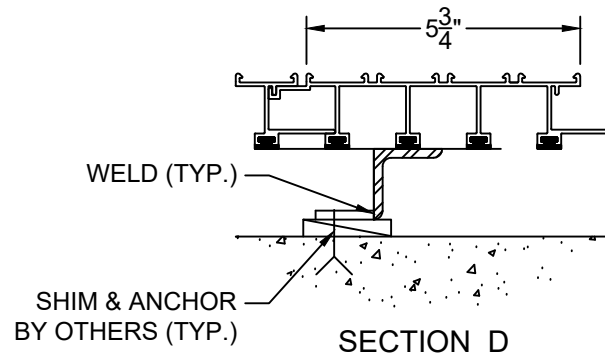
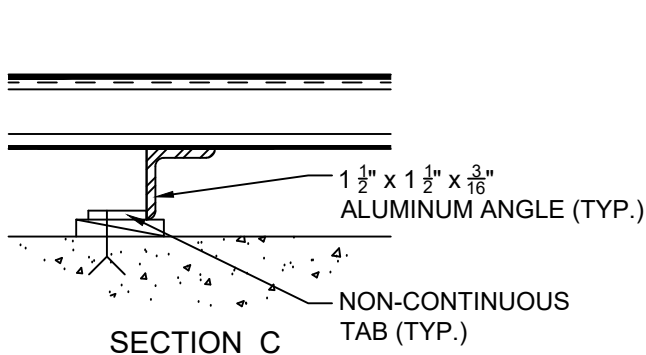
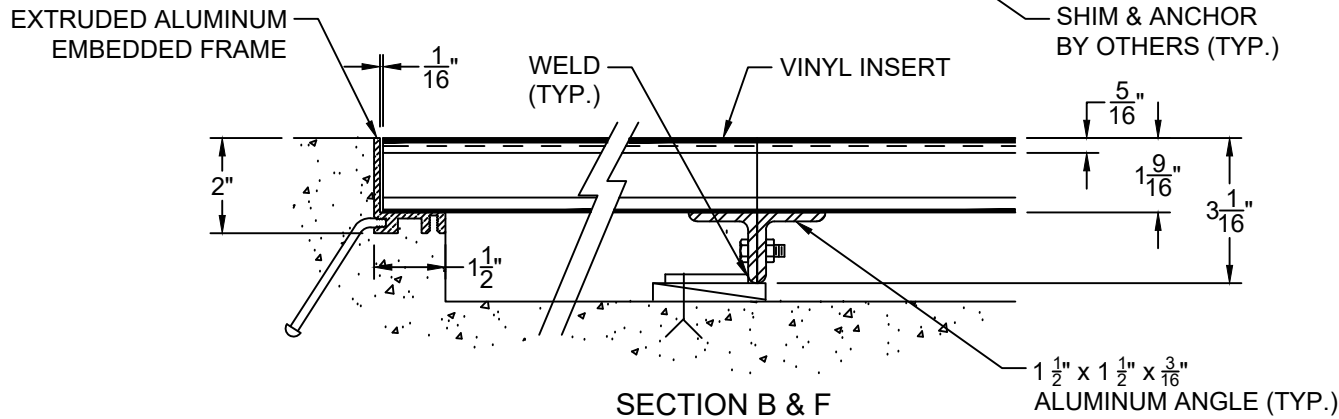
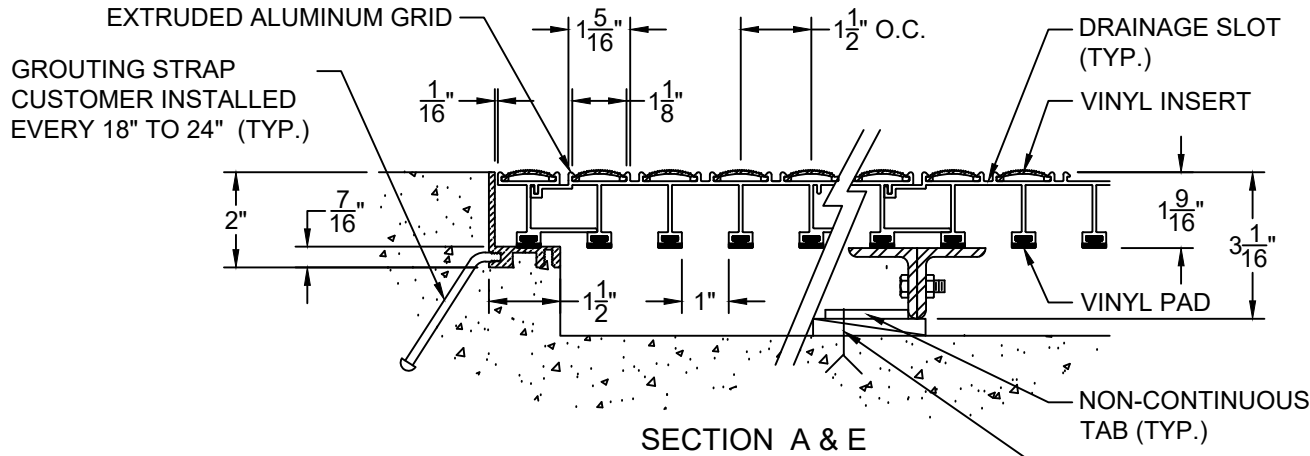
8333 BOYLE PARKWAY TWINSBURG, OHIO 44087
(800) 321-3827 TEL (440) 439-8650 FAX (440) 439-6889

MODEL : KDVP ALUM ENTRANCE GRID W/ VINYL INSERTS, EMBEDDED ALUM FRAME - PIT APPLICATION

STANDARD SPECIFICATIONS :

1. MAT SURFACE : VINYL TREADS ARE MADE OF PVC, SERRATED, NON-SLIP SURFACE WITH A CONVEX DESIGN.
2. GRID MATERIAL : EXTRUDED ALUMINUM (ALLOY 6063-T6)
3. FRAMES: EXTRUDED ALUMINUM (ALLOY 6063-T6)
4. FILLER (AS REQUIRED) : EXTRUDED BLACK VINYL
5. MANUFACTURING TOLERANCES :

FRAME: +0" / -0.125"
MAT: +0" / -0.125"



NOTE :

FRAME FINISH : MILL

GRID FINISH : MILL

VINYL COLOR :

NOTE: DO NOT SCALE DRAWING.

VP 9/20/17