

DRAWN BY : XXX

DATE : XX/XX/XX

JOB NO : XXXXX

SHEET X OF X

PROJECT : XXXXXXXX

VM ALUM ANGLE FRAME STD

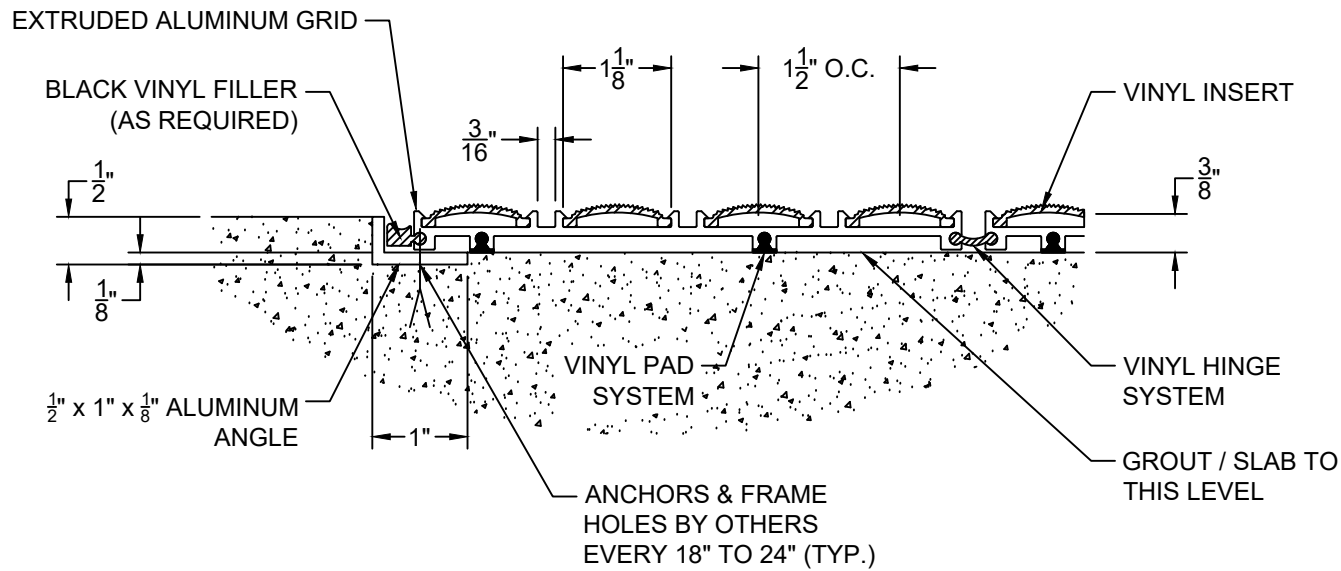
MODEL : KDVM ALUM ROLLOUT MAT W/ VINYL INSERTS - ALUMINUM ANGLE FRAME



8333 BOYLE PARKWAY TWINSBURG, OHIO 44087
 (800) 321-3827 TEL (440) 439-8650 FAX (440) 439-6889

STANDARD SPECIFICATIONS : KDVM

1. MAT SURFACE : VINYL TREADS ARE MADE OF PVC, SERRATED, NON-SLIP SURFACE WITH A CONVEX DESIGN.
2. MAT MATERIAL : EXTRUDED ALUMINUM (ALLOY 6063-T6)
3. FRAMES : EXTRUDED ALUMINUM (ALLOY 6063-T6)
4. FILLER (AS REQUIRED) : EXTRUDED BLACK VINYL
5. MANUFACTURING TOLERANCES :
 FRAME : + 0" / - 0.125"
 MAT : + 0" / - 0.125"



SECTION A

NOTE :

FRAME FINISH : MILL

GRID FINISH : MILL

VINYL COLOR :

NOTE : DO NOT SCALE DRAWING.

VM 3/8/17