

DRAWN BY : XXX

DATE : XX/XX/XX

JOB NO : XXXXX

SHEET X OF X

PROJECT : XXXXXXXX

CP PIT ALUM FRAME STD

MODEL: KDCP ALUM ENTRANCE GRID W/ CARPET INSERTS, EMBEDDED ALUM FRAME - PIT APPLICATION; KDCP ALUM ENTRANCE GRID W/ HEAVY DUTY CARPET INSERTS, EMBEDDED ALUM FRAME - PIT APPLICATION



8333 BOYLE PARKWAY TWINSBURG, OHIO 44087
(800) 321-3827 TEL (440) 439-8650 FAX (440) 439-6889

STANDARD SPECIFICATIONS : KDCP

1. MAT INSERT :

NYLON CARPET : 100% NYLON 6, FUSION BONDED TO POLYPROPYLENE BACKING.

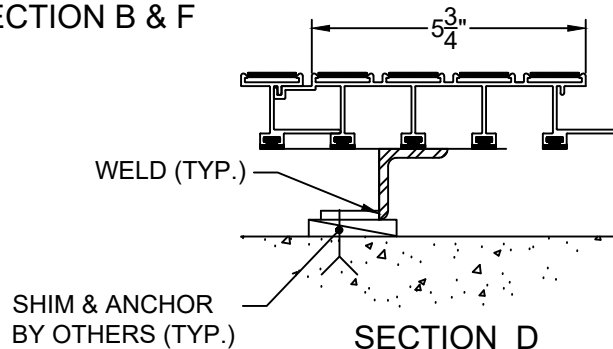
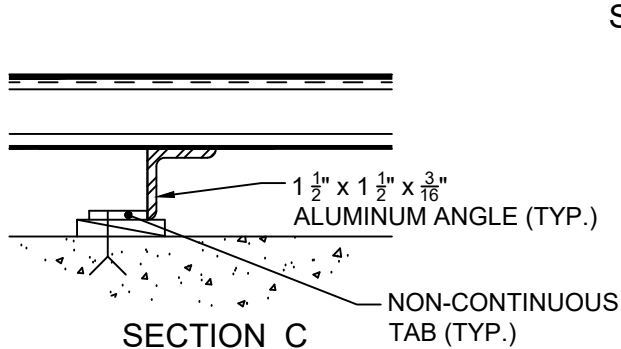
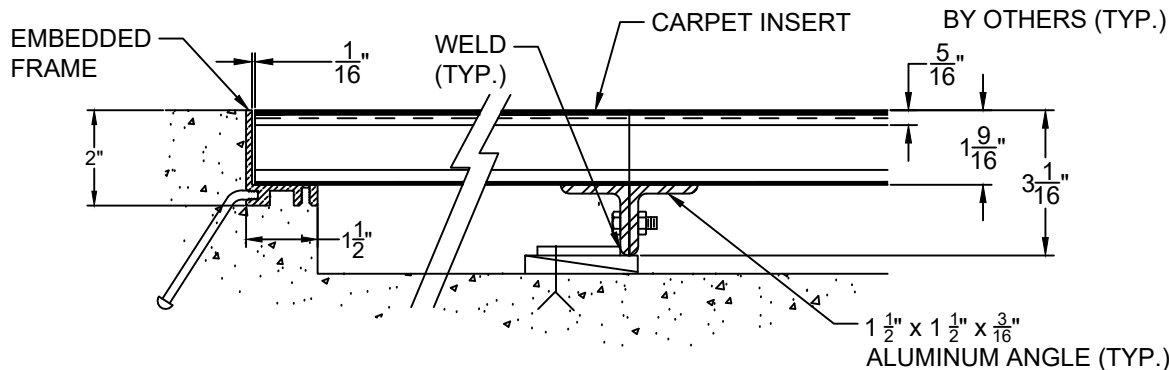
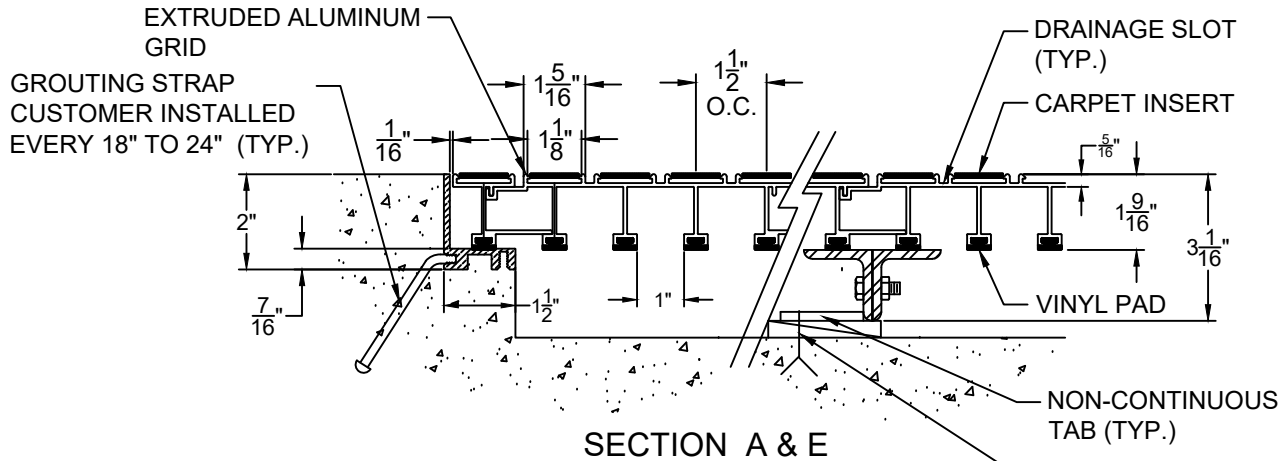
HEAVY DUTY CARPET : 100% POLYPROPYLENE FIBERS (80/20 BLEND OF 600/12 DENIER MULTIFILAMENT AND 595 DENIER MONOFILAMENT) FUSION BONDED TO POLYPROPYLENE BACKING.

2. GRID MATERIAL : EXTRUDED ALUMINUM (ALLOY 6063-T6)

3. FRAMES: EXTRUDED ALUMINUM (ALLOY 6036-T6)

4. MANUFACTURING TOLERANCES :

FRAME : +0 / - .125"
MAT : + 0" / - .125"



NOTE :

FRAME FINISH : MILL

GRID FINISH : MILL

CARPET COLOR :