

DRAWN BY : XXX

DATE : XX/XX/XX

JOB NO : XXXXX

SHEET X OF X

PROJECT : XXXXXX

CM VINYL RAMPS SURFACE APP

MODEL : KDCM ALUM ROLLOUT MAT W/ CARPET INSERTS, PERIMETER RAMP
- SURFACE APPLICATION



8333 BOYLE PARKWAY TWINSBURG, OHIO 44087
(800) 321-3827 TEL (440) 439-8650 FAX (440) 439-6889

STANDARD SPECIFICATIONS : KDCM

1. MAT INSERT :

NYLON CARPET : 100% NYLON 6, FUSION BONDED TO POLYPROPYLENE BACKING.

HEAVY DUTY CARPET : 100% POLYPROPYLENE FIBERS (80/20 BLEND OF 600/12 DENIER MULTIFILAMENT AND 595 DENIER MONOFILAMENT) FUSION BONDED TO POLYPROPYLENE BACKING

2. MAT MATERIAL : EXTRUDED ALUMINUM (ALLOY 6063-T6)

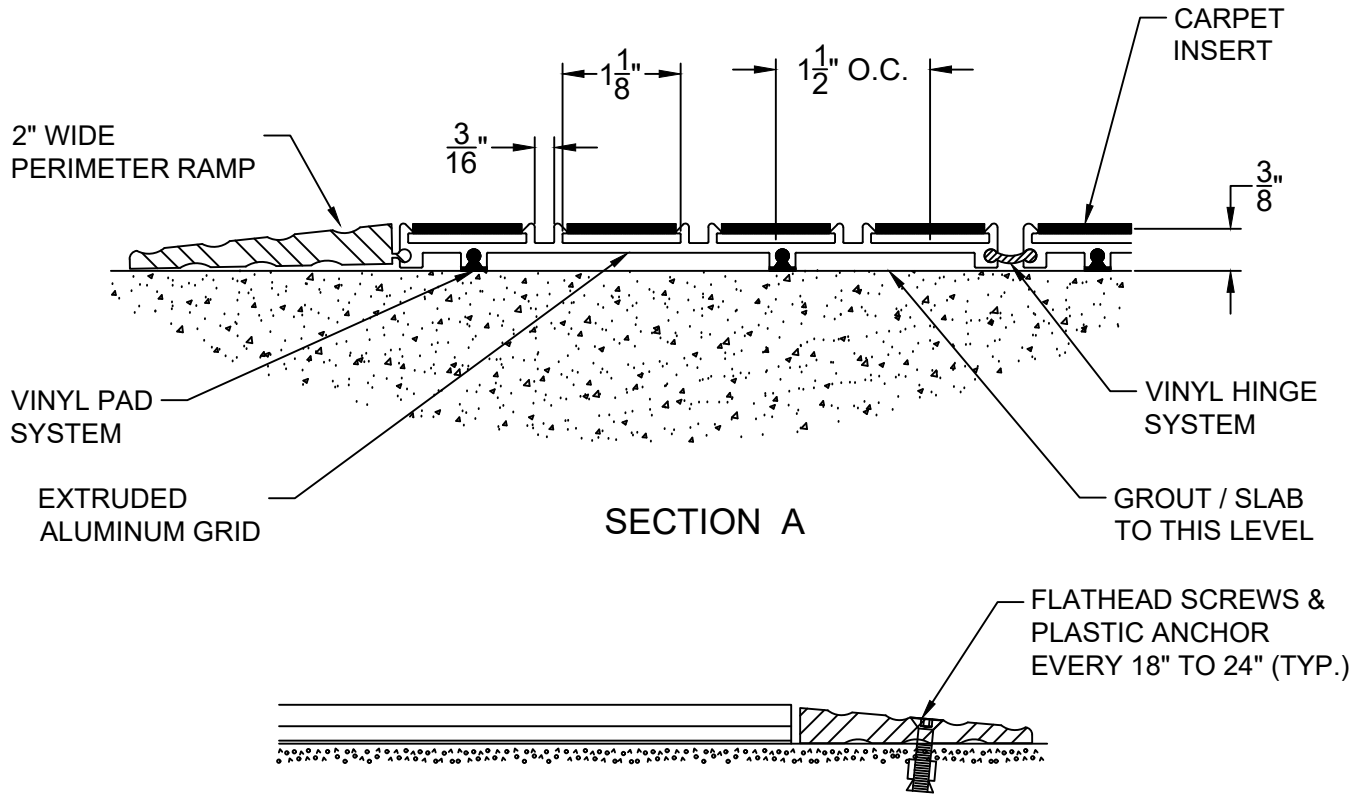
3. FRAMES : EXTRUDED BLACK VINYL

4. FILLER (AS REQUIRED) : EXTRUDED BLACK VINYL

5. MANUFACTURING TOLERANCES :

WIDTH : + 0" / - 0.125"

WALKING DIRECTION : + 1" / -1"



SECTION A

SECTION B

NOTE :

FRAME FINISH : BLACK VINYL

GRID FINISH : MILL

CARPET COLOR :