

DRAWN BY : XXX

DATE : XX/XX/XX

JOB NO : XXXXX

SHEET X OF X

PROJECT : XXXXXXX

ALI ALUM ANGLE LEVEL BED DP

MODEL : KDALi ALUM BAR GRATING W/ HIDDEN LOCKING DEVICES, ALUM ANGLE FRAME, DRAIN PAN - LEVEL BED APPLICATION



8333 BOYLE PARKWAY TWINSBURG, OHIO 44087
TEL (800) 321-3827

GENERAL SPECIFICATIONS : KDALi

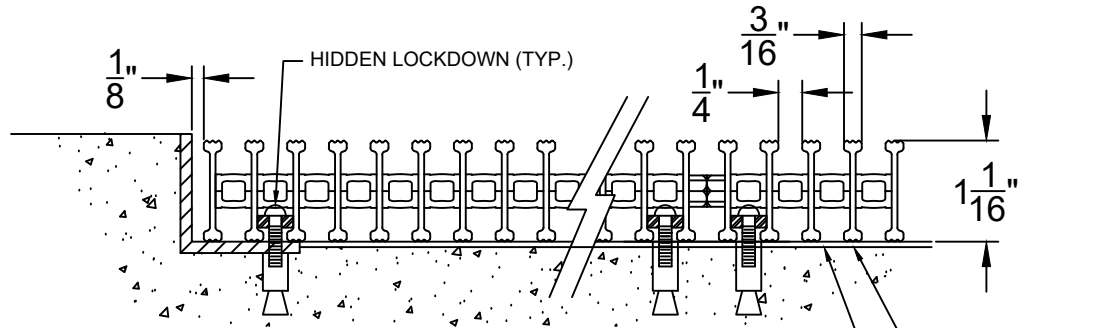
CONSTRUCTION :

1. THE TREAD MATERIAL SHALL BE OF MILL FINISH EXTRUDED ALUMINUM ALLOY (6063-T6) WITH 1.06" x 0.186" ALUMINUM TREAD BARS
2. SWAGED ALUMINUM CROSS BAR FROM EXTRUDED ALUMINUM ALLOY (6063-T1). STANDARD SLOT OPENING SHALL BE $\frac{1}{4}$ ".
4. HIDDEN LOCKING DEVICES WILL FASTEN GRATING TO THE FRAME. HIDDEN LOCKDOWNS SHALL BE SPACED NO GREATER THEN 2'0" ON CENTER
5. FRAMES : EXTRUDED ALUMINUM (ALLOY 6063-T6)
6. MANUFACTURING TOLERANCES :
GRATE : + 0" / - 0.250"
FRAME : + 0" / - 0.125"

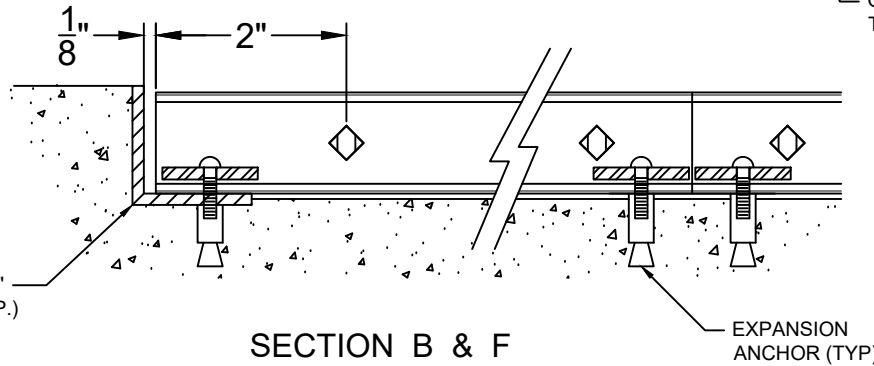
NOTE :

GRATE : MILL FINISH

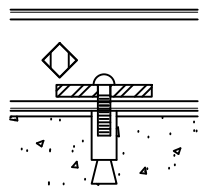
FRAME : MILL FINISH



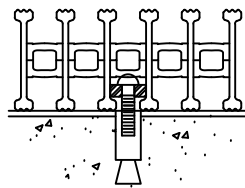
SECTION A & E



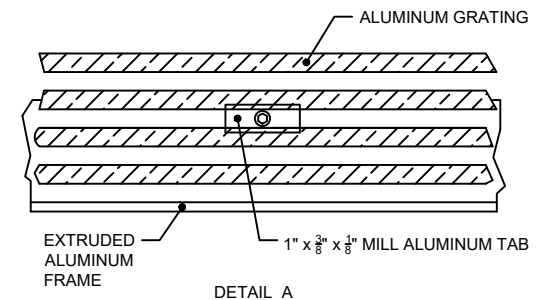
SECTION B & F



SECTION C



SECTION D



DETAIL A

GRATES SHOULD BE OVERALL $\frac{1}{4}$ " (NOMINAL) SMALLER THAN RECESS INSIDE DIMENSION. CUSTOMER RESPONSIBLE FOR PROPER SUPPORT AT LEAST EVERY 2'.

NOTE : DO NOT SCALE DRAWING.

AL 2/23/17