

DRAWN BY : XXX

DATE : XX/XX/XX

JOB NO : XXXXX

SHEET X OF X

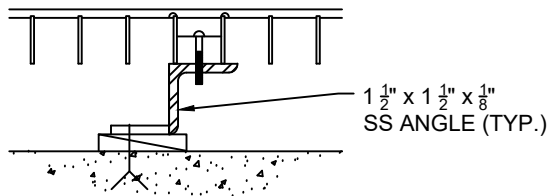
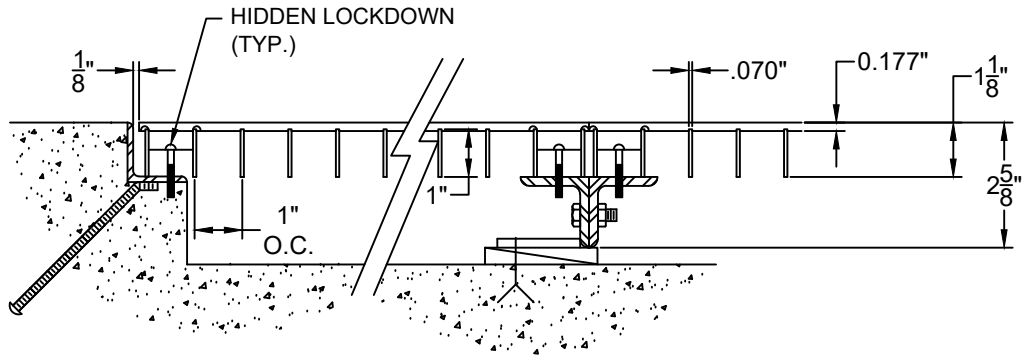
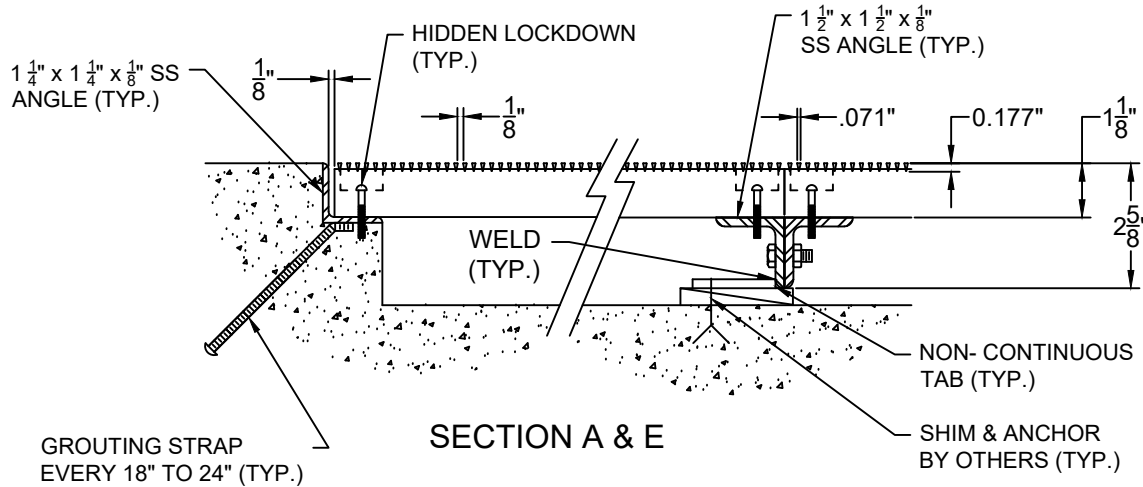
PROJECT : XXXXXXXX

STD DETAIL KD98

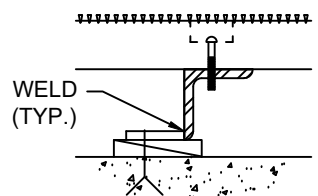
MODEL : KD98 SS GRATING W/HIDDEN LOCKING DEVICES, SS FRAME - PIT APPLICATION  
APPLICATION



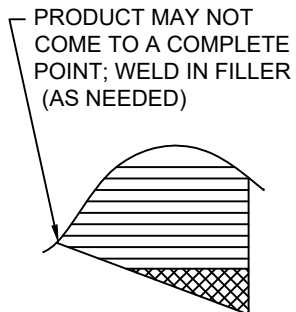
8333 BOYLE PARKWAY TWINSBURG, OHIO 44087  
(800) 321-3827 TEL (440) 439-8650 FAX (440) 439-6889



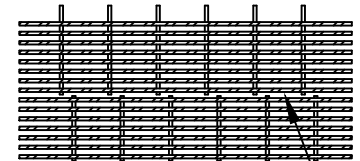
SECTION C



SECTION D



DETAIL X



DETAIL A

GENERAL SPECIFICATIONS : KD98

TREAD MATERIAL : TYPE 304 SS 0.071" x 0.177"  
#4 SATIN FINISH SPACE 0.125" ; SPACING +/- 0.005"

SUPPORT RODS : 0.070" x 1" SPACED 1" O.C.

CONSTRUCTION : EACH JUNCTURE OF SURFACE WIRES TO SUPPORT RODS SHALL HAVE ELECTRIC RESISTANCE WELDED JOINTS.

OVERALL DIMENSION TOLERANCES :

GRATING : + 0", - 0.125", FRAME : + 0", - 0.125"

MANUFACTURING TOLERANCES :

ANSI/NAAMM A202.1-MBG 531 APPLICABLE TO :  
ON CENTER MEASUREMENT OF TREAD MATERIAL  
DIAGONAL MEASUREMENTS (SQUARE)  
TRANSVERSE BOW (BEFORE FASTENING)  
LONGITUDINAL BOW (BEFORE FASTENING)

MATERIAL TOLERANCES :

ASTM A484/A484M APPLICABLE TO SS ANGLES  
ASTM B221 APPLICABLE TO ALUM SHAPES

SPECIAL NOTES :

\*GC/INSTALLER IS RESPONSIBLE FOR COPLANAR INSTALLATION OF MAT SURFACE TO SURROUNDING FLOOR CONDITIONS  
\*GIVEN THAT THE NUMBER OF SURFACE WIRES (TREAD MATERIAL) IN ONE FOOT IS ABOUT SIXTY, IT IS PROBABLE THAT ADJACENT PANELS' WIRES WILL NOT ALIGN IN EVERY CASE. IN MOST CASES, THE WIRES WILL ALIGN FOR SEVERAL INCHES THEN APPEAR TO WALK. THIS IS UNAVOIDABLE MANIFESTATION OF THE MANUFACTURING PROCESS. THIS CONDITION APPLIES TO THE SUPPORT RODS AS WELL. SIMILARLY IN MITERED CORNERS, THE VARIANCES OF SLOTS WITHIN THE NORMAL TOLERANCE RANGES PRECLUDES GUARANTEED ADJACENT PANEL WIRE ALIGNMENT.