

DRAWN BY : XXX

DATE : XX/XX/XX

JOB NO : XXXXX

SHEET X OF X

PROJECT : XXXXXXXX

38 ALUM FRAME LEVEL BED

MODEL: KD38 SS GRATING W/ HIDDEN LOCKING DEVICES, EMBEDDED ALUM FRAME  
- LEVEL BED



8333 BOYLE PARKWAY TWINSBURG, OHIO 44087  
(800) 321-3827 TEL (440) 439-8650 FAX (440) 439-6889

GENERAL SPECIFICATIONS : KD38

TREAD MATERIAL : TYPE 304 SS 0.090" x 0.138"  
#4 SATIN FINISH SPACE 0.125"; SPACING +/- 0.005"

SUPPORT RODS : 0.281"DIA. SPACED 2" O.C.

CONSTRUCTION : EACH JUNCTURE OF SURFACE WIRES  
TO SUPPORT RODS SHALL HAVE ELECTRIC RESISTANCE  
WELDED JOINTS.

OVERALL DIMENSION TOLERANCES :

GRATING : + 0", - 0.125", FRAME : + 0", - 0.125"

MANUFACTURING TOLERANCES :

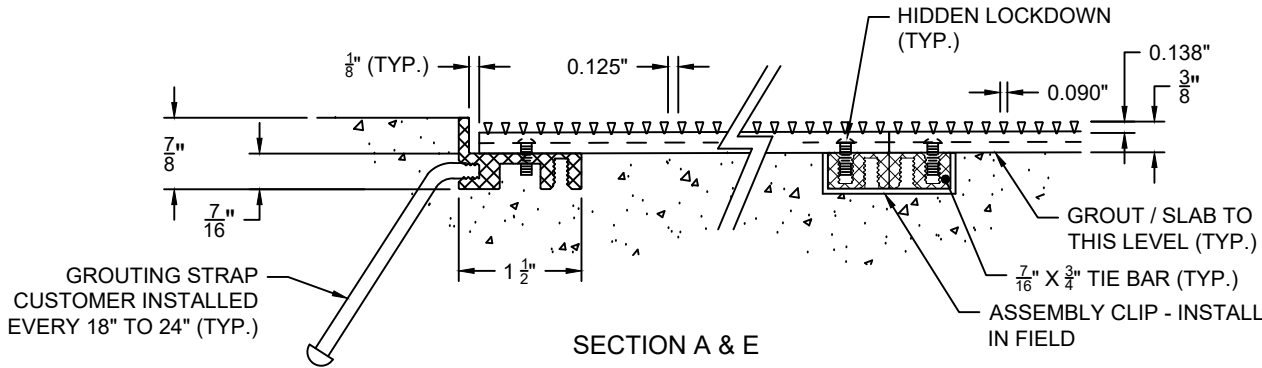
ANSI/NAAMM A202.1-MBG 531 APPLICABLE TO :  
ON CENTER MEASUREMENT OF TREAD MATERIAL  
DIAGONAL MEASUREMENTS (SQUARE)  
TRANSVERSE BOW (BEFORE FASTENING)  
LONGITUDINAL BOW (BEFORE FASTENING)

MATERIAL TOLERANCES :

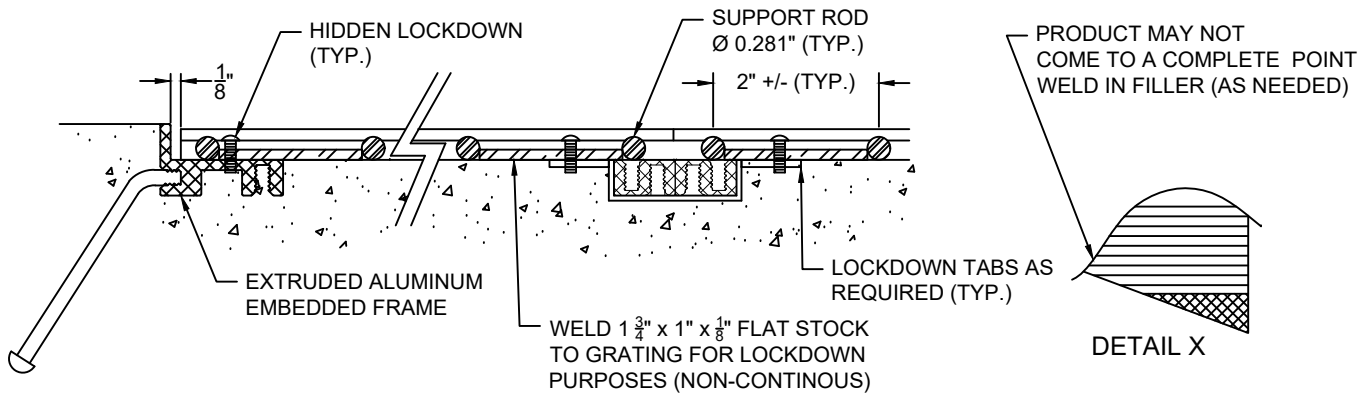
ASTM A484/A484M APPLICABLE TO SS ANGLES  
ASTM B221 APPLICABLE TO ALUM SHAPES

SPECIAL NOTES :

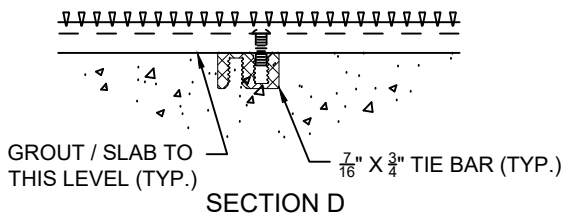
\*GC/INSTALLER IS RESPONSIBLE FOR COPLANAR INSTALLATION  
OF MAT SURFACE TO SURROUNDING FLOOR CONDITIONS  
\*GIVEN THAT THE NUMBER OF SURFACE WIRES (TREAD MATERIAL)  
IN ONE FOOT IS ABOUT SIXTY, IT IS PROBABLE THAT ADJACENT  
PANELS' WIRES WILL NOT ALIGN IN EVERY CASE. IN MOST CASES,  
THE WIRES WILL ALIGN FOR SEVERAL INCHES THEN APPEAR  
TO WALK. THIS IS UNAVOIDABLE MANIFESTATION OF  
THE MANUFACTURING PROCESS. THIS CONDITION APPLIES TO  
THE SUPPORT RODS AS WELL. SIMILARLY IN MITERED CORNERS,  
THE VARIANCES OF SLOTS WITHIN THE NORMAL TOLERANCE  
RANGES PRECLUDES GUARANTEED ADJACENT PANEL WIRE  
ALIGNMENT.



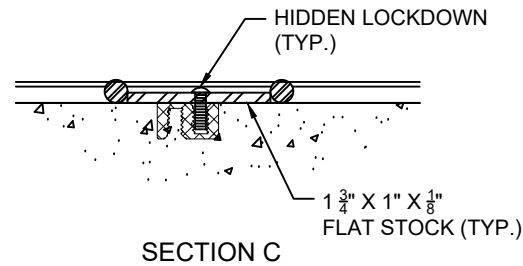
SECTION A & E



SECTION B & F



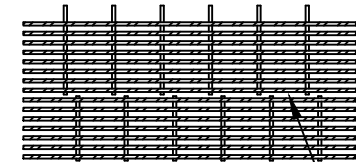
SECTION D



SECTION C

PRODUCT MAY NOT  
COME TO A COMPLETE POINT  
WELD IN FILLER (AS NEEDED)

DETAIL X



DETAIL A

NOTE : KD38 IS DESIGNED TO REST DIRECTLY ON THE RECESS FLOOR. (IT DOES NOT SPAN)

NOTE : DO NOT SCALE DRAWING.

38 3/8/17