

DRAWN BY : XXX

DATE : XX/XX/XX

JOB NO : XXXXX

SHEET X OF X

PROJECT : XXXXXXXXXXXX VP PIT ALUM FRAM DRAIN PAN STD

MODEL: KDVP ALUM. ENTRANCE GRID W/VINYL INSERTS, EMBEDDED ALUM FRAME, DRAIN PAN - PIT APPLICATION

# KADEE INDUSTRIES, INC.

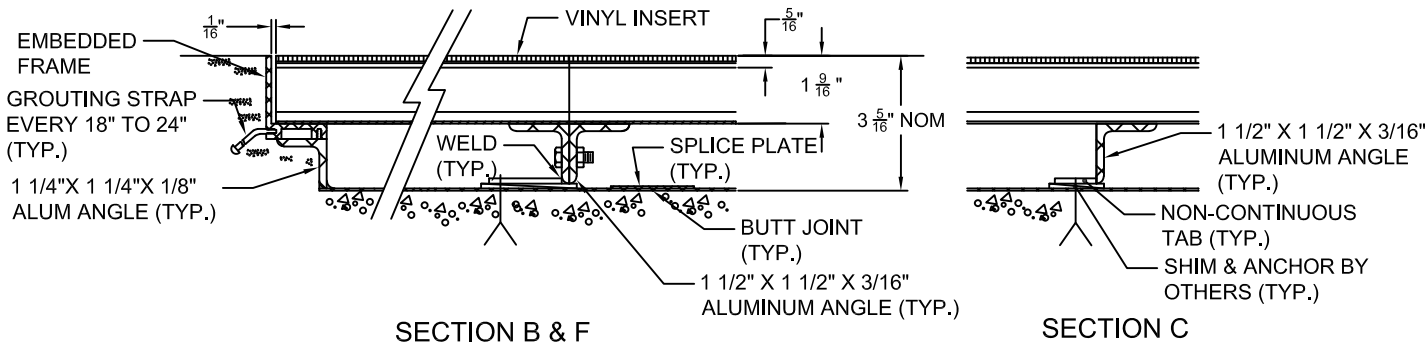
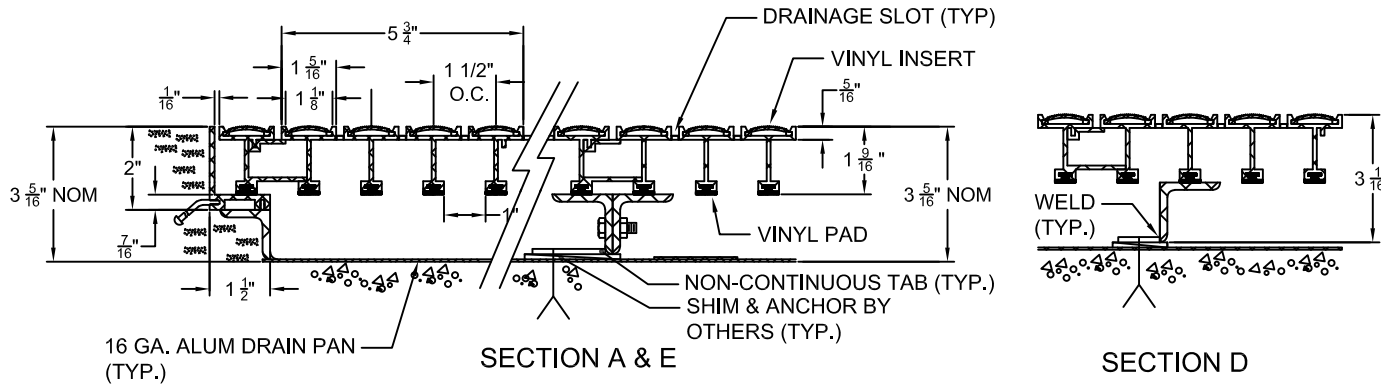
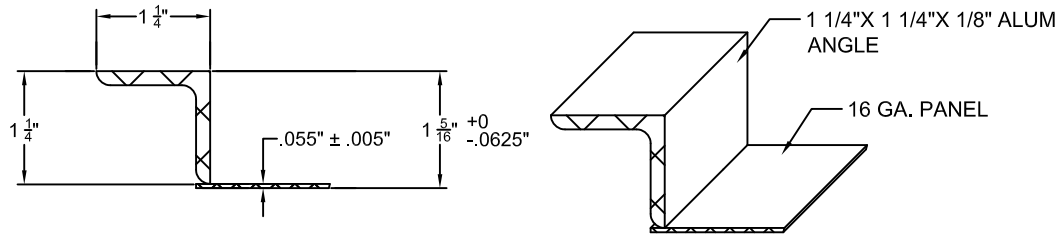
7160 KRICK ROAD WALTON HILLS, OHIO 44146  
(800) 321-3827 TEL (440) 439-8650 FAX (440) 439-6889

STANDARD SPECIFICATIONS :

1. MAT SURFACE : VINYL TREADS ARE MADE OF PVC, SERRATED, NON-SLIP SURFACE WITH A CONVEX DESIGN.
2. GRID MATERIAL : EXTRUDED ALUMINUM (ALLOY 6063-T6)
3. FRAMES: EXTRUDED ALUMINUM (ALLOY 6063-T6)
4. FILLER (AS REQUIRED): EXTRUDED BLACK VINYL
5. MANUFACTURING TOLERANCES :

FRAME: +0" / -0.125"  
MAT: + 0" / - 0.125"

ELEVATED AND ISO DRAIN PAN VIEWS



NOTE :

FRAME FINISH : MILL

GRID FINISH : MILL

VINYL COLOR :