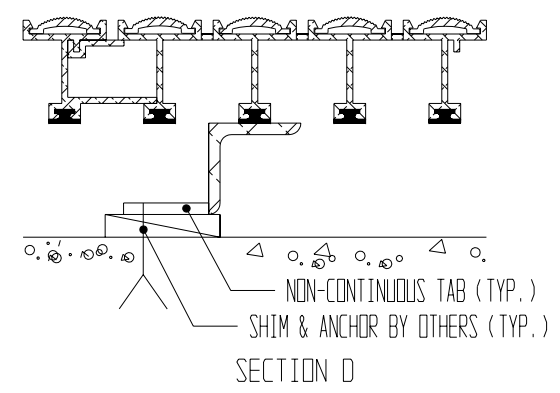
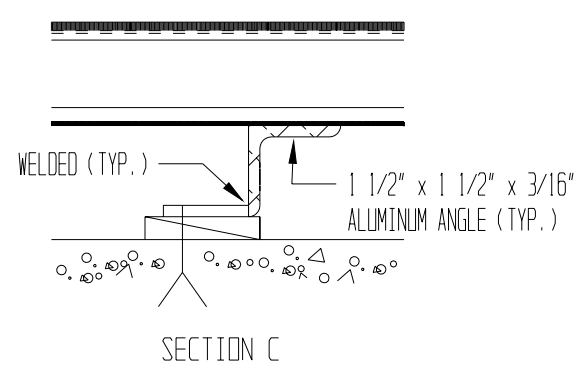
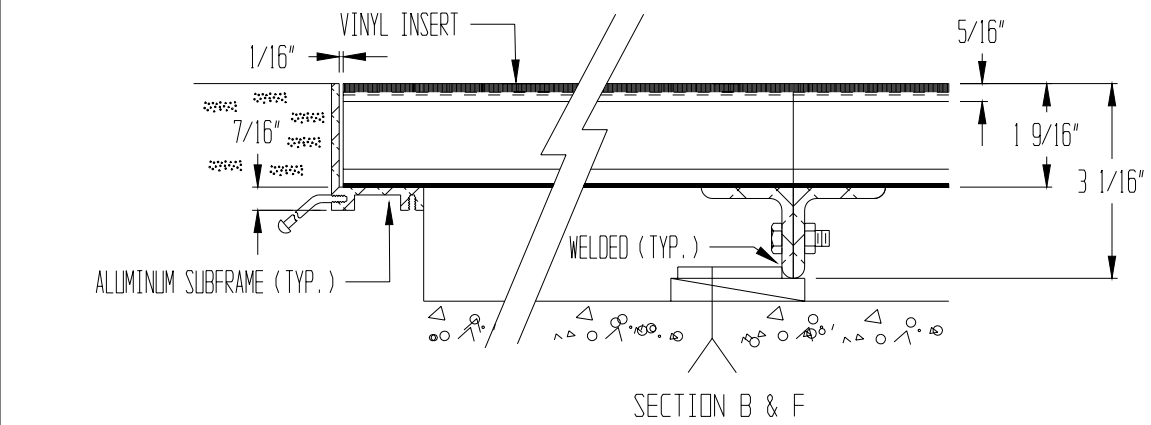
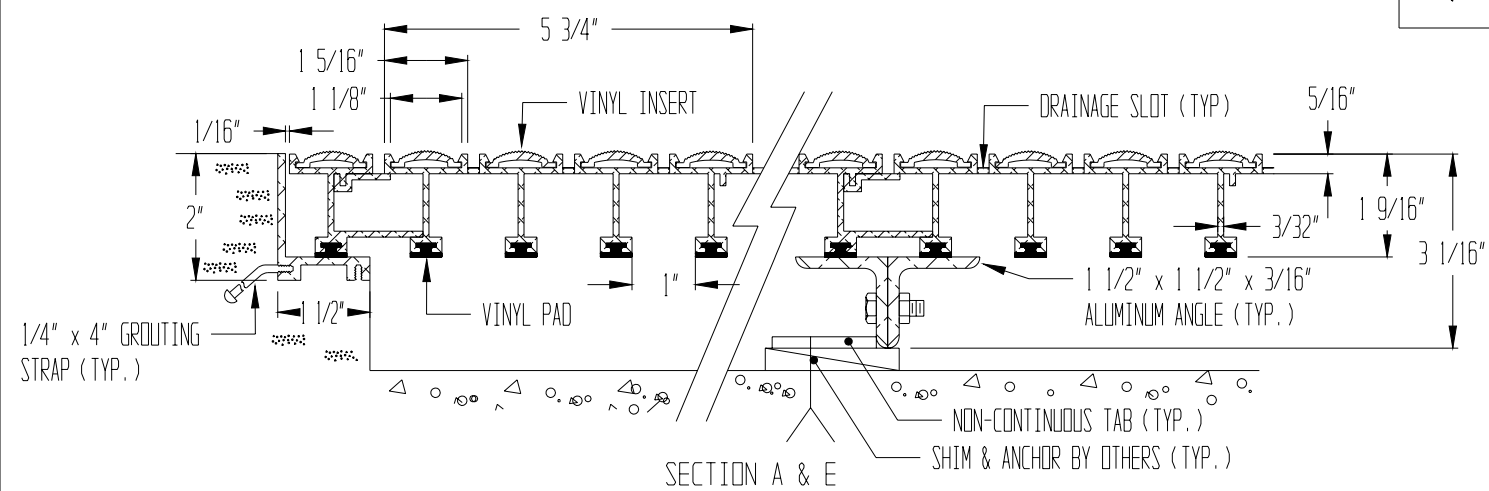


PROJECT :

MODEL : KDVP Alum Entrance Grid w/vinyl inserts, Alum Subframe - PIT APPLICATION



STANDARD SPECIFICATIONS:

1. MAT SURFACE: VINYL TREADS ARE MADE OF PVC, SERRATED, NON-SLIP SURFACE WITH A CONVEX DESIGN.
2. GRID MATERIAL: EXTRUDED ALUMINUM (ALLOY 6063-T6)
3. FRAMES: EXTRUDED ALUMINUM (ALLOY 6063-T6)
4. STANDARD MAXIMUM LIVE LOAD: 200 LBS PER SQUARE FOOT
5. TOLERANCES: FRAME -- +0/- .125"  
 MAT -- +0/- .125"

MODEL : KDVP  
 FRAME FINISH: MILL  
 GRID FINISH: MILL  
 VINYL COLOR:

vpp.ptn