

DRAWN BY:

DATE:

JOB NO:

SHEET OF

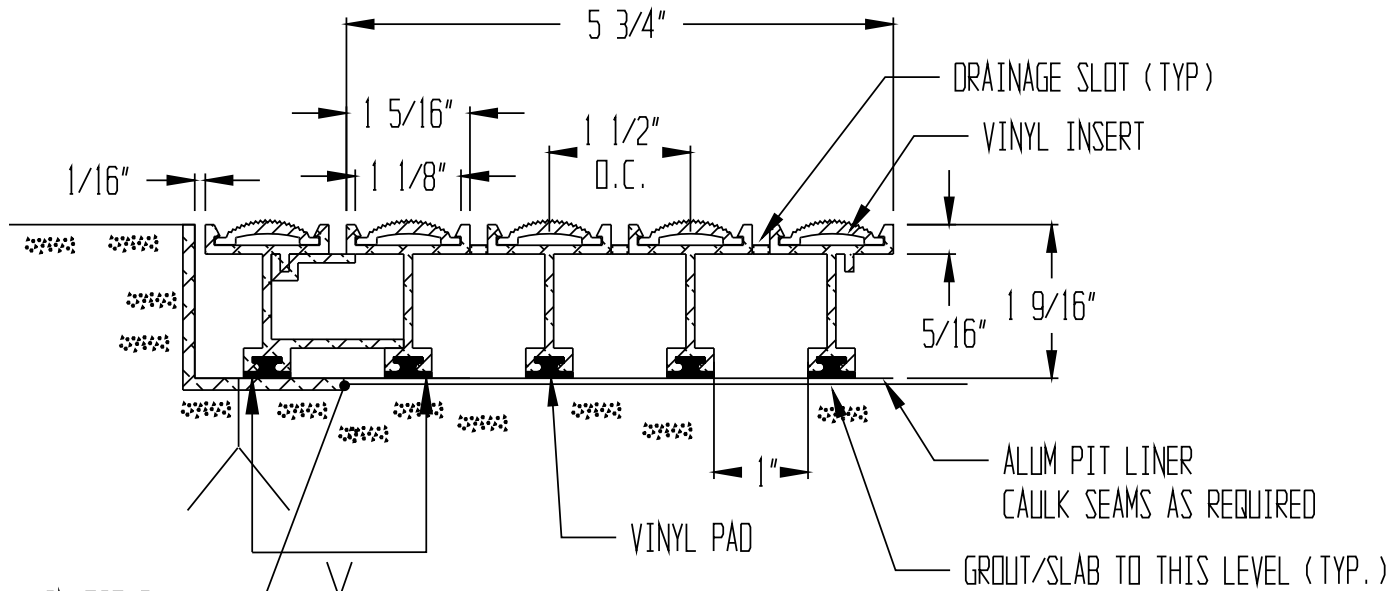
KADEE
INDUSTRIES, INC.

7160 KRICK ROAD □ WALTON HILLS, OHIO 44146
(800) 321-3827 □ TEL (440) 439-8650 □ FAX (440) 439-6889

PROJECT:

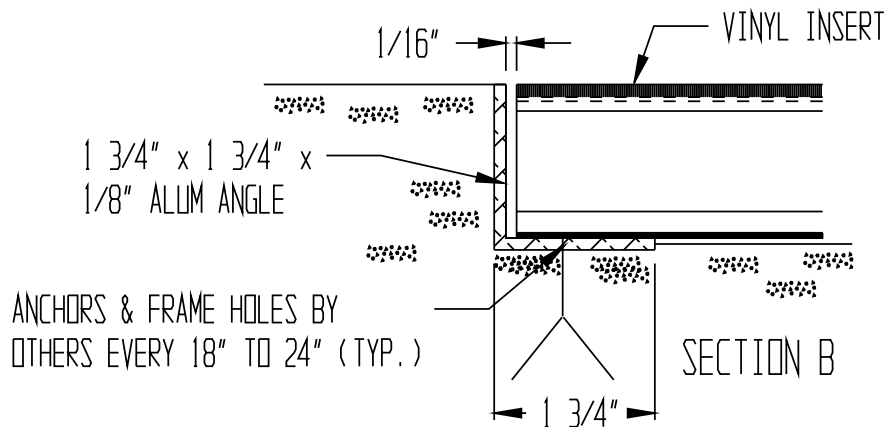
MODEL: KDVP Alum Entrance Grid w/vinyl inserts, Alum Angle Frame, Pit Liner - LEVEL BED APPLICATION

- 1) ASSEMBLE FRAMES IN FIELD
- 2) PREPARE PIT FOR COPLANAR INSTALLATION OF PIT LINER (detail X)



CAULK IN FIELD AS REQUIRED (typ)

SECTION A



ANCHORS & FRAME HOLES BY OTHERS EVERY 18" TO 24" (TYP.)

SECTION B

STANDARD SPECIFICATIONS:

- 1. MAT SURFACE: VINYL TREADS ARE MADE OF PVC, SERRATED, NON-SLIP SURFACE WITH A CONVEX DESIGN
- 2. GRID MATERIAL: EXTRUDED ALUMINUM (ALLOY 6063-T6)
- 3. FRAMES: EXTRUDED ALUMINUM (ALLOY 6063-T6)
- 4. FILLER (AS REQUIRED): EXTRUDED BLACK VINYL
- 5. MANUFACTURING TOLERANCES:
 FRAME -- +0/- .125"
 MAT -- +0/- .125"

NOTE:

- FRAME FINISH: MILL
- GRID FINISH: MILL
- VINYL COLOR:

PIT LINERS ARE CUSTOM CUT TO FIT; TOLERANCE OF +0 / -1/8"