

DRAWN BY:

DATE:

JOB NO:

SHEET OF

KADEE
INDUSTRIES, INC.

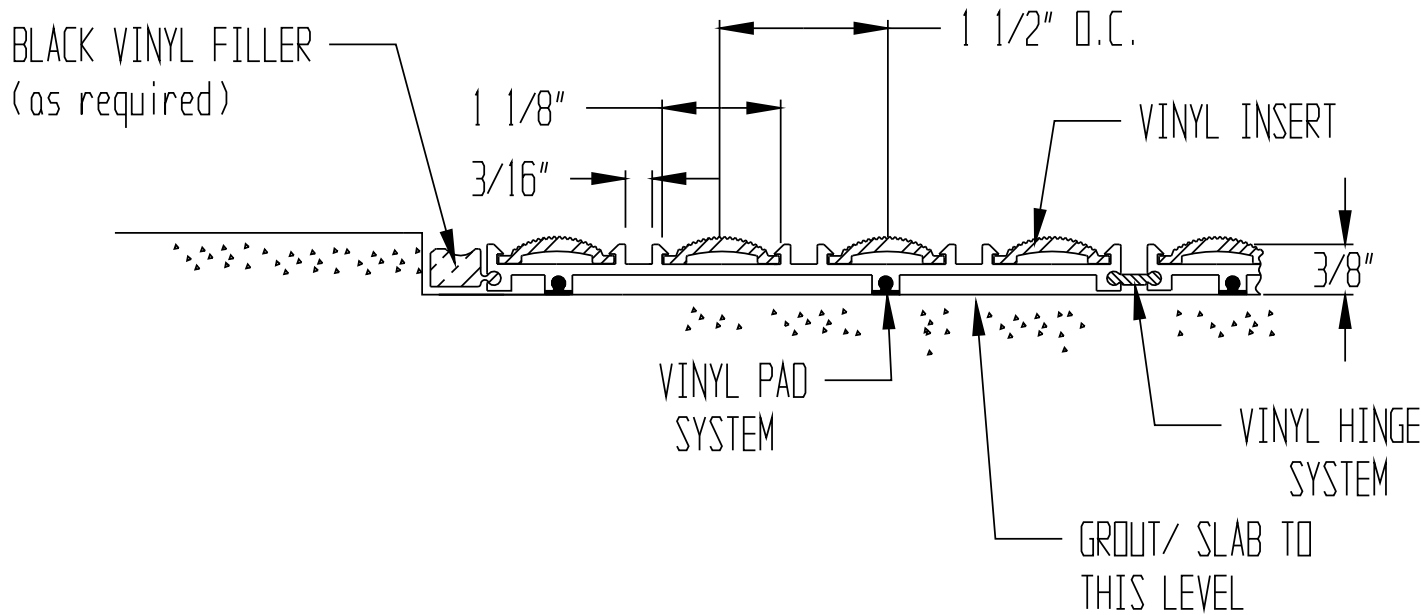
7160 KRICK ROAD □ WALTON HILLS, OHIO 44146
(800) 321-3827 □ TEL (440) 439-8650 □ FAX (440) 439-6889

PROJECT:

MODEL: KDVM Alum Rollout Mat w/vinyl inserts - No Frame

STANDARD SPECIFICATIONS:

1. MAT SURFACE: VINYL TREADS ARE MADE OF PVC, SERRATED, NON-SLIP SURFACE WITH A CONVEX DESIGN
2. MAT MATERIAL: EXTRUDED ALUMINUM (ALLOY 6063-T6)
3. FILLER (AS REQUIRED): EXTRUDED BLACK VINYL
4. MANUFACTURING TOLERANCES:
MAT -- +0/- .125"



SECTION A

NOTE:

GRID FINISH: MILL

VINYL COLOR: