

DRAWN BY:

DATE:

JOB NO:

SHEET OF

**KADEE**  
INDUSTRIES, INC.

7160 KRICK ROAD □ WALTON HILLS, OHIO 44146  
(800) 321-3827 □ TEL (440) 439-8650 □ FAX (440) 439-6889

PROJECT:

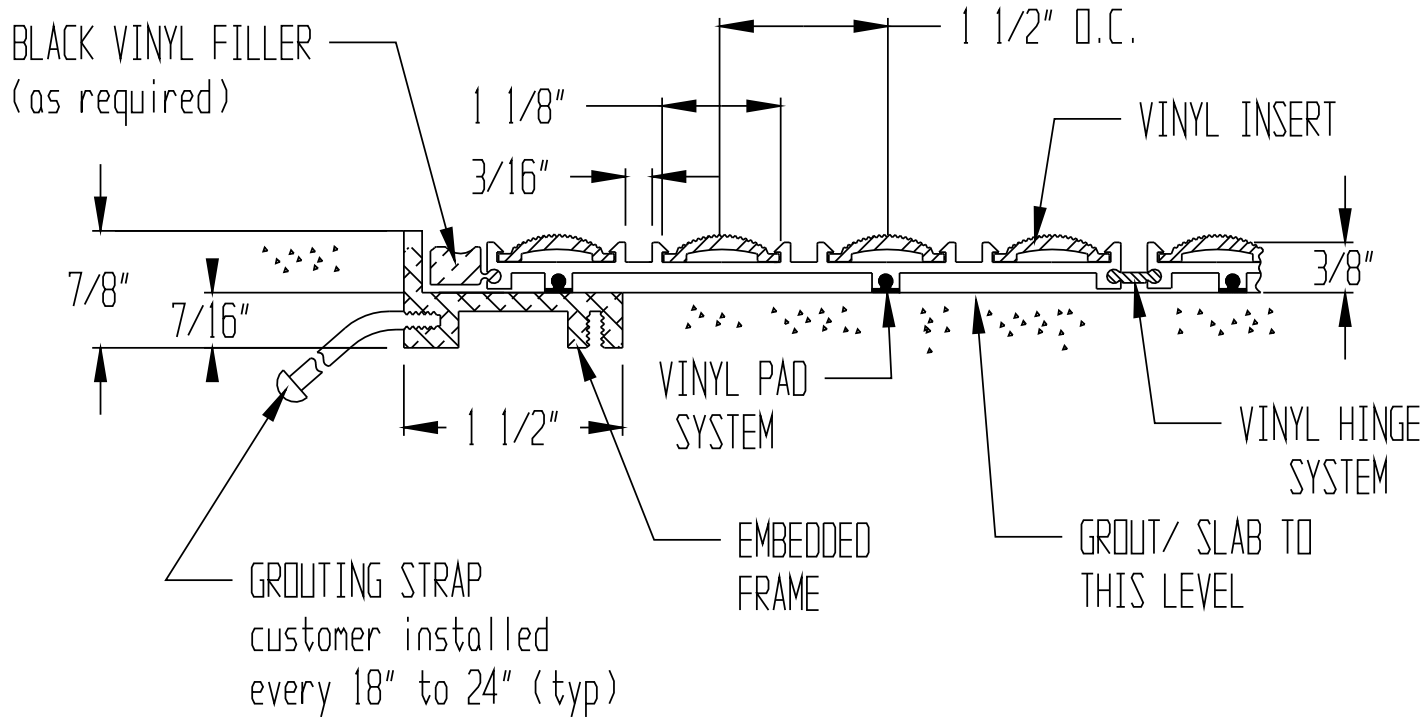
*MODEL: KDVM Alum Rollout Mat w/vinyl inserts - Embedded Aluminum Frame*

STANDARD SPECIFICATIONS:

1. MAT SURFACE: VINYL TREADS ARE MADE OF PVC, SERRATED, NON-SLIP SURFACE WITH A CONVEX DESIGN
2. MAT MATERIAL: EXTRUDED ALUMINUM (ALLOY 6063-T6)
3. FRAMES: EXTRUDED ALUMINUM (ALLOY 6063-T6)
4. FILLER (AS REQUIRED): EXTRUDED BLACK VINYL
5. MANUFACTURING TOLERANCES:

FRAME -- +0/- .125"

MAT -- +0/- .125"



SECTION A

NOTE:

FRAME FINISH: MILL

GRID FINISH: MILL

VINYL COLOR: