

DRAWN BY : XXX

DATE : XX/XX/XX

JOB NO : XXXXX

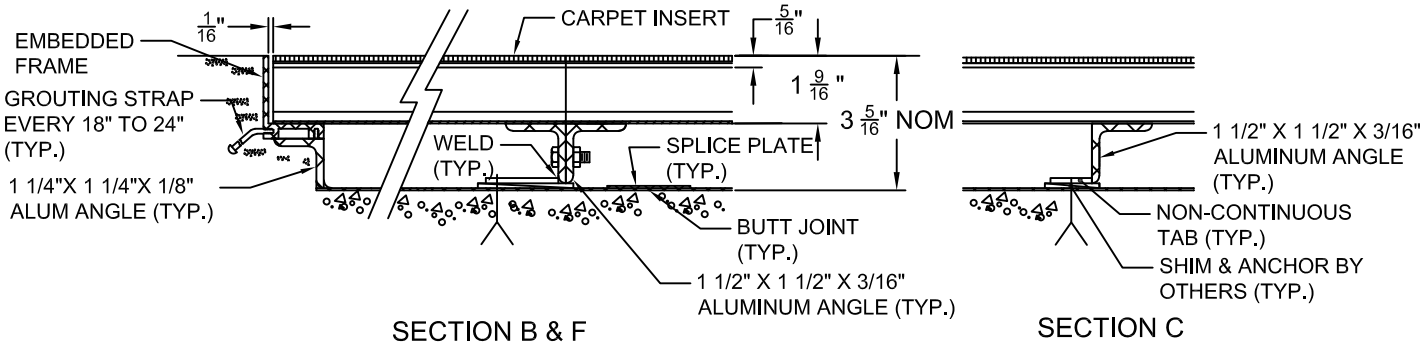
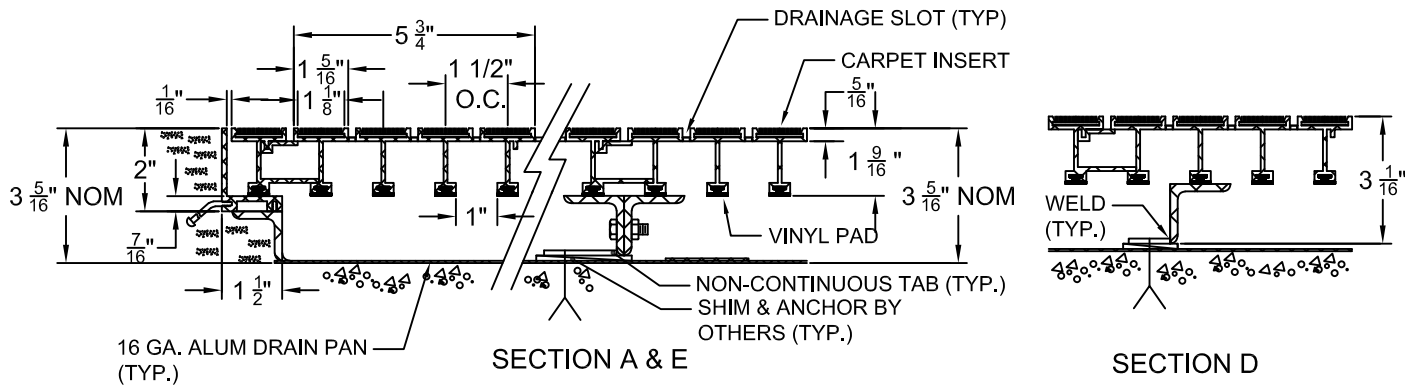
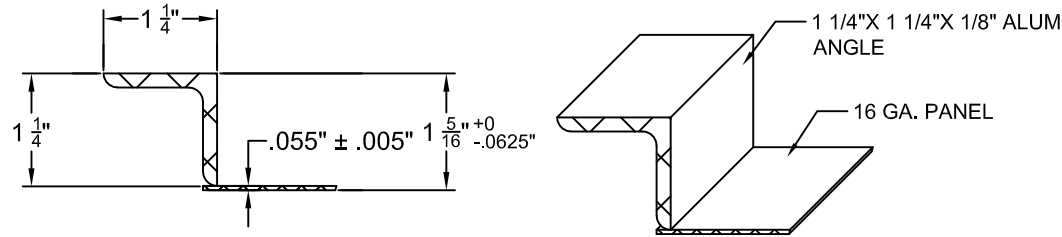
SHEET X OF X

PROJECT : XXXXXXXXXXXX CP PIT ALUM FRAM DRAIN PAN STD

MODEL: KDCP ALUM. ENTRANCE GRID W/CARPET INSERTS, EMBEDDED ALUM FRAME, DRAIN PAN - PIT APPLICATION

MODEL: KDCP ALUM. ENTRANCE GRID W/ HEAVY DUTY CARPET INSERTS, EMBEDDED ALUM FRAME, DRAIN PAN - PIT APPLICATION

ELEVATED AND ISO DRAIN PAN VIEWS



KADEE INDUSTRIES, INC.

7160 KRICK ROAD WALTON HILLS, OHIO 44146
(800) 321-3827 TEL (440) 439-8650 FAX (440) 439-6889

STANDARD SPECIFICATIONS : KDCP

1. MAT INSERT :

NYLON CARPET : 100% NYLON 6, FUSION BONDED TO POLYPROPYLENE BACKING.

HEAVY DUTY CARPET : 100% POLYPROPYLENE FIBERS (80/20 BLEND OF 600/12 DENIER MULTIFILAMENT AND 595 DENIER MONOFILAMENT) FUSION BONDED TO POLYPROPYLENE BACKING.

2. GRID MATERIAL : EXTRUDED ALUMINUM (ALLOY 6063-T6)

3. FRAMES: EXTRUDED ALUMINUM (ALLOY 6036-T6)

4. MANUFACTURING TOLERANCES :

FRAME : +0 / - .125"
MAT : + 0" / - .125"

NOTE :

FRAME FINISH : MILL

GRID FINISH : MILL

CARPET COLOR :