

DRAWN BY :

DATE :

JOB NO :

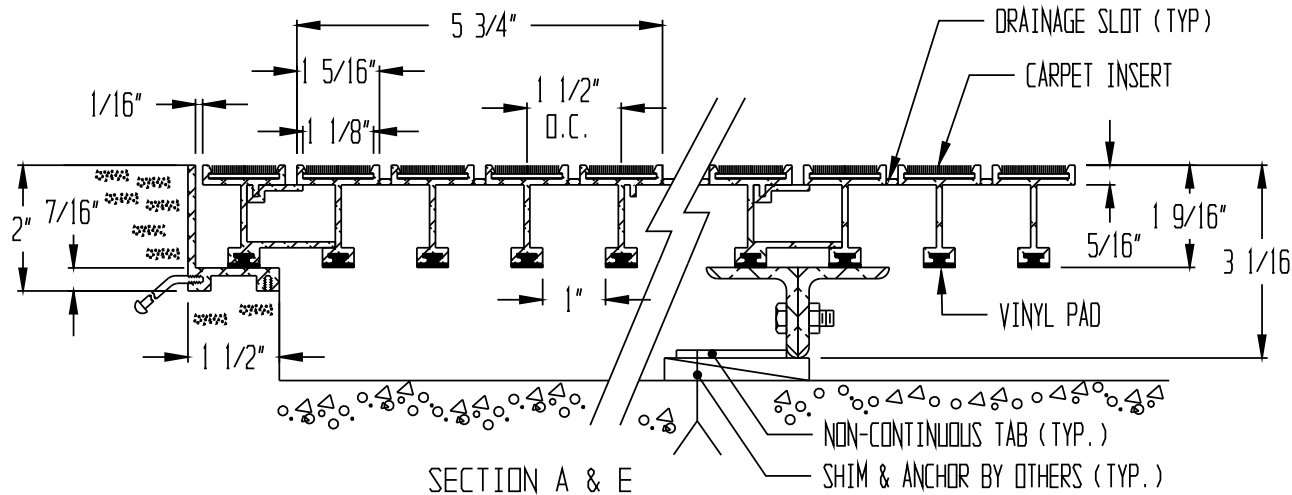
SHEET OF

KADEE
INDUSTRIES, INC.

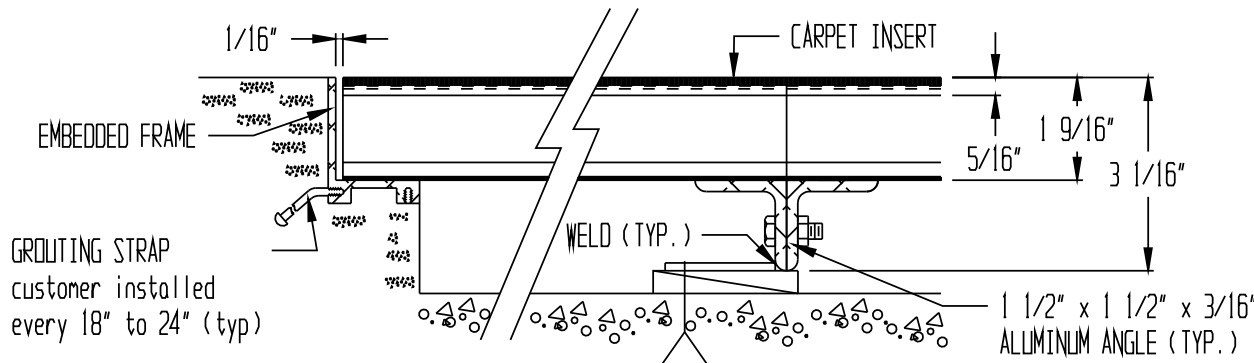
7160 KRICK ROAD □ WALTON HILLS, OHIO 44146
(800) 321-3827 □ TEL (440) 439-8650 □ FAX (440) 439-6889

PROJECT :

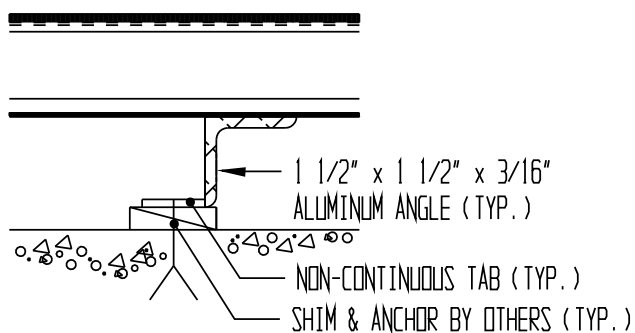
MODEL: KDCP Alum Entrance Grid w/carpet inserts, Embedded Alum Frame - PIT APPLICATION



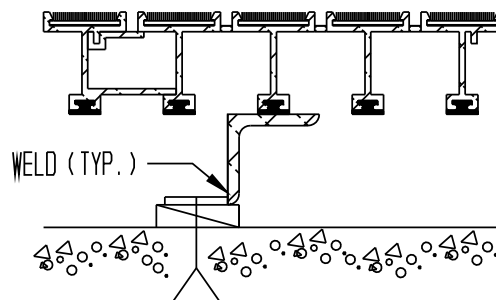
SECTION A & E



SECTION B & F



SECTION C



SECTION D

STANDARD SPECIFICATIONS:

1. MAT INSERT:

NYLON CARPET: 100% NYLON 6, FUSION BONDED TO POLYPROPYLENE BACKING.

HEAVY DUTY CARPET: 100% POLYPROPYLENE FIBERS (80/20 BLEND OF 600/12 DENIER MULTIFILAMENT AND 595 DENIER MONOFILAMENT) FUSION BONDED TO POLYPROPYLENE BACKING.

2. GRID MATERIAL: EXTRUDED ALUMINUM (ALLOY 6063-T6)

3. FRAMES: EXTRUDED ALUMINUM (ALLOY 6063-T6)

4. MANUFACTURING TOLERANCES:

FRAME -- +0/- .125"

MAT -- +0/- .125"

NOTE:

FRAME FINISH: MILL

GRID FINISH: MILL

CARPET COLOR: