

DRAWN BY:

DATE:

JOB NO:

SHEET OF

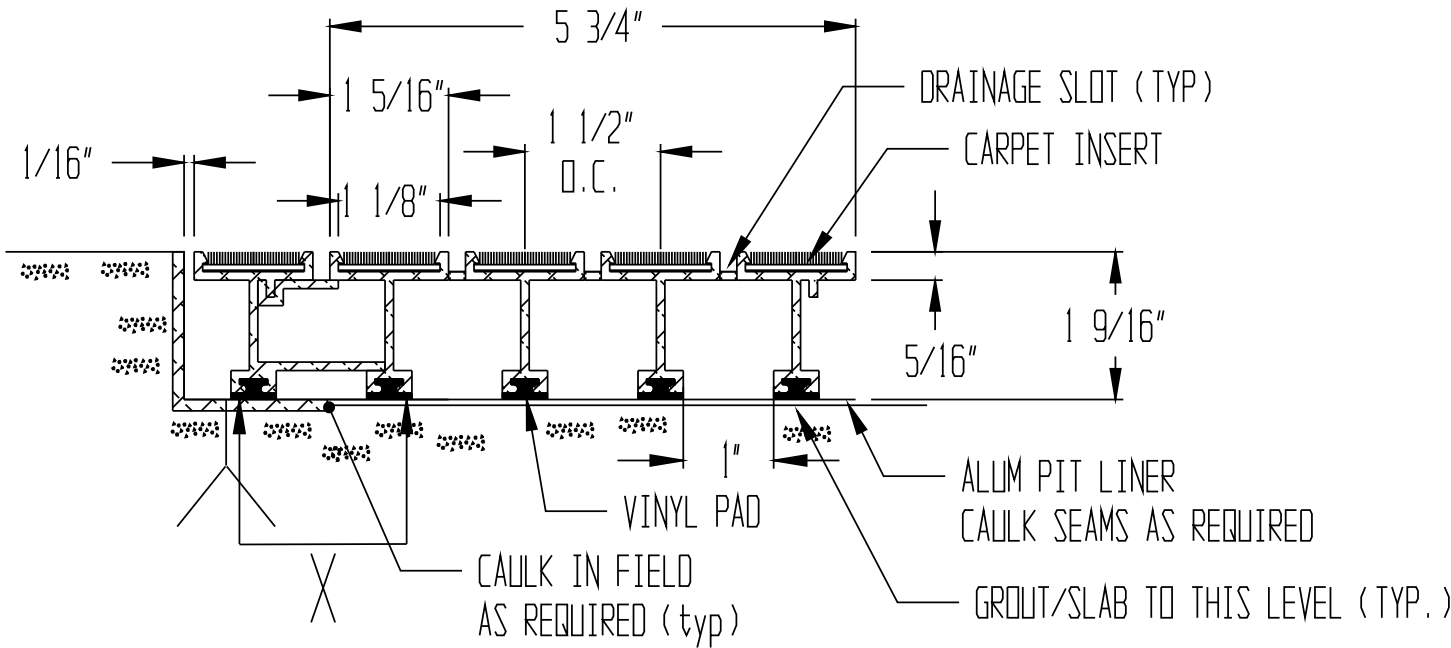
KADEE
INDUSTRIES, INC.

7160 KRICK ROAD □ WALTON HILLS, OHIO 44146
(800) 321-3827 □ TEL (440) 439-8650 □ FAX (440) 439-6889

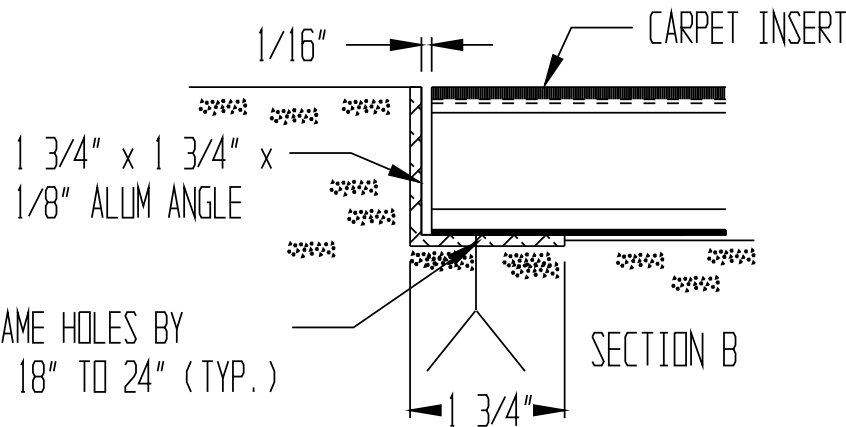
PROJECT:

MODEL: KDCP Alum Entrance Grid w/carpet inserts, Alum Angle Frame, Pit Liner - LEVEL BED APPLICATION

- 1) ASSEMBLE FRAMES IN FIELD
- 2) PREPARE PIT FOR COPLANAR INSTALLATION OF PIT LINER (detail X)



SECTION A



ANCHORS & FRAME HOLES BY OTHERS EVERY 18" TO 24" (TYP.)

STANDARD SPECIFICATIONS:

1. MAT INSERT:

NYLON CARPET: 100% NYLON 6, FUSION BONDED TO POLYPROPYLENE BACKING.

HEAVY DUTY CARPET: 100% POLYPROPYLENE FIBERS (80/20 BLEND OF 600/12 DENIER MULTIFILAMENT AND 595 DENIER MONOFILAMENT) FUSION BONDED TO POLYPROPYLENE BACKING.

2. GRID MATERIAL: EXTRUDED ALUMINUM (ALLOY 6063-T6)

3. FRAMES: EXTRUDED ALUMINUM (ALLOY 6063-T6)

4. MANUFACTURING TOLERANCES:

FRAME -- +0/- .125"

MAT -- +0/- .125"

NOTE:

FRAME FINISH: MILL

GRID FINISH: MILL

CARPET COLOR:

PIT LINERS ARE CUSTOM CUT TO FIT; TOLERANCE OF +0 / -1/8"