

DRAWN BY:

DATE:

JOB NO:

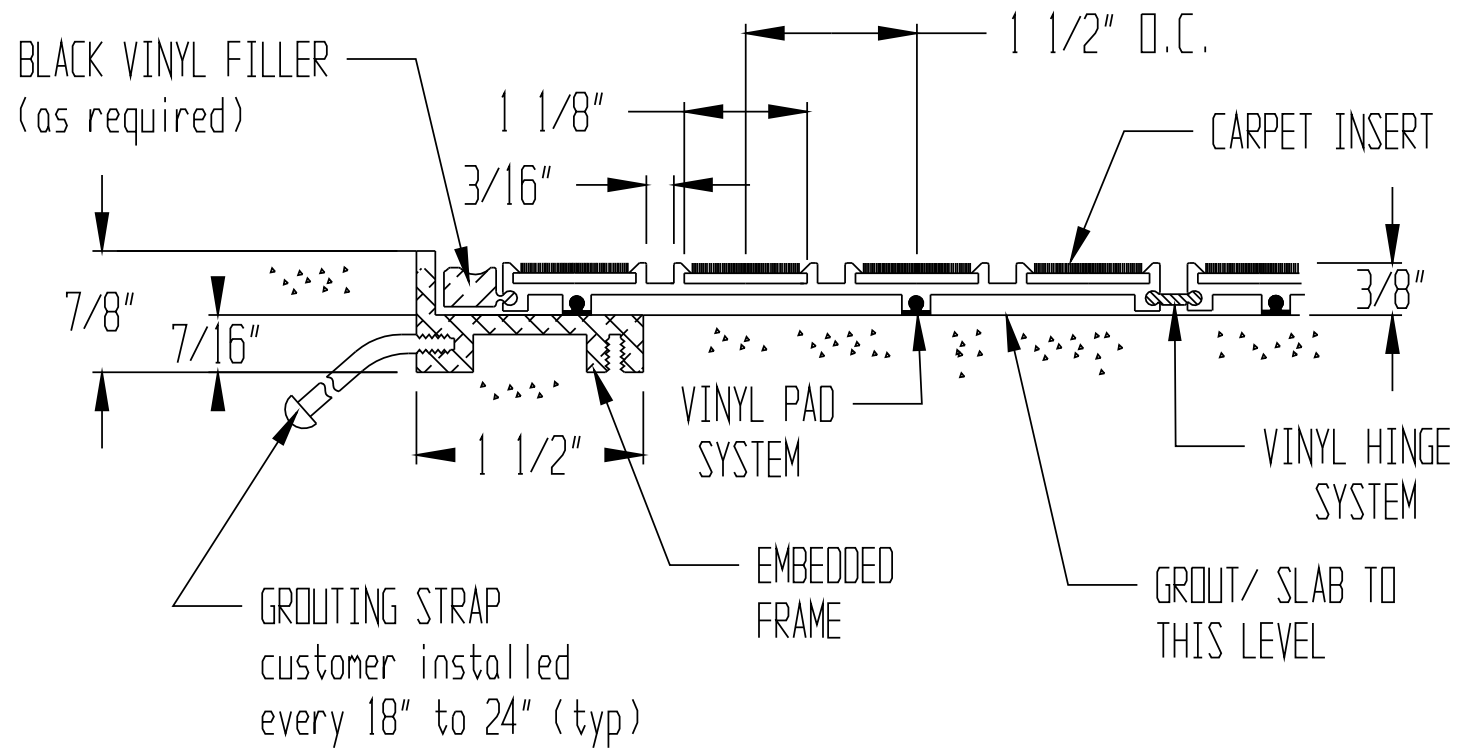
SHEET OF

KADEE
INDUSTRIES, INC.

7160 KRICK ROAD □ WALTON HILLS, OHIO 44146
(800) 321-3827 □ TEL (440) 439-8650 □ FAX (440) 439-6889

PROJECT:

MODEL: KDCM Alum Rollout Mat w/carpet inserts - Embedded Aluminum Frame



SECTION A

STANDARD SPECIFICATIONS:

1. MAT INSERT:
 NYLON CARPET: 100% NYLON 6, FUSION BONDED TO POLYPROPYLENE BACKING.
 HEAVY DUTY CARPET: 100% POLYPROPYLENE FIBERS (80/20 BLEND OF 600/12 DENIER MULTIFILAMENT AND 595 DENIER MONOFILAMENT) FUSION BONDED TO POLYPROPYLENE BACKING.
2. MAT MATERIAL: EXTRUDED ALUMINUM (ALLOY 6063-T6)
3. FRAMES: EXTRUDED ALUMINUM (ALLOY 6063-T6)
4. FILLER (AS REQUIRED): EXTRUDED BLACK VINYL
5. MANUFACTURING TOLERANCES:
 FRAME -- +0/- .125"
 MAT -- +0/- .125"

NOTE:

FRAME FINISH: MILL

GRID FINISH: MILL

CARPET COLOR: