

DRAWN

DATE:

JOB NO:

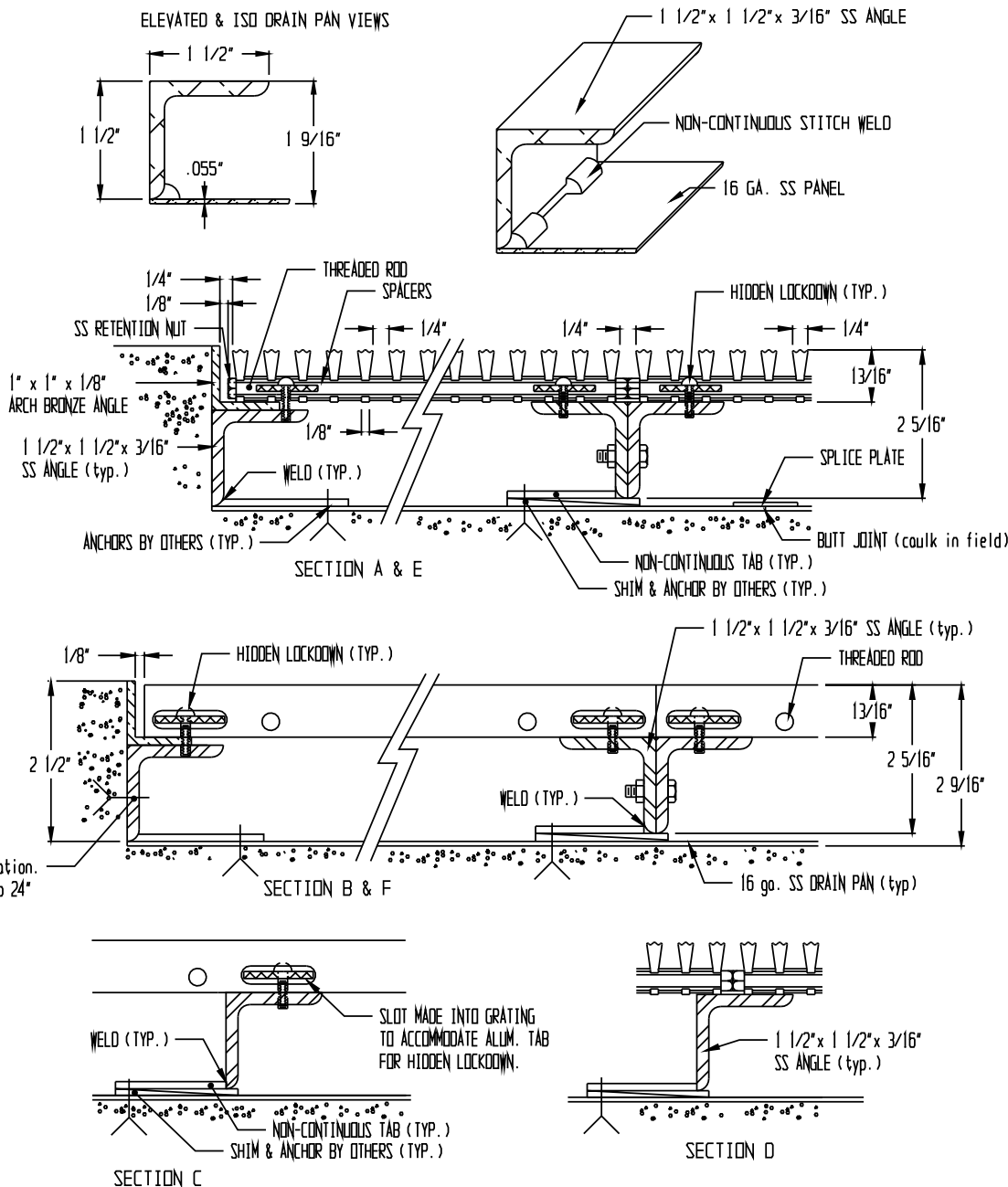
SHEET OF

PROJECT:

KADEE INDUSTRIES, INC.

7160 KRICK ROAD □ WALTON HILLS, OHIO 44146 (800) 321-3827 □ TEL (440) 439-8650 □ FAX (440) 439-6889

MODEL: KDBR Bronze Grating w/Hidden Locking Devices, Bronze Frame, SS Legdown Frame, SS Drain Pan - PIT APPLICATION



Alternate anchoring location. Frame holes every 18" to 24" by others.

GENERAL SPECIFICATIONS: KDBR

CONSTRUCTION:

1. THE TREAD MATERIAL SHALL BE OF MILL FINISH EXTRUDED ARCHITECTURAL BRONZE ALLOY (C38500) WITH .815" X .25" BRONZE TREAD BARS ASSEMBLED WITH NYLON SPACERS AND 1/4" THREADED STAINLESS STEEL RODS AND NUTS.
2. STANDARD SLOT OPENING SHALL BE 1/4".
3. SPACING OF STAINLESS STEEL THREADED RODS TO BE 10" ON CENTER (typical).
4. HIDDEN LOCKING DEVICES WILL FASTEN GRATING TO THE FRAME.
5. FRAMES: ARCHITECTURAL BRONZE (ALLOY C38500)
6. MANUFACTURING TOLERANCES
GRATE -- +0/- .250"
FRAME -- +0/- .125"