

DRAWN BY:

DATE:

JOB NO:

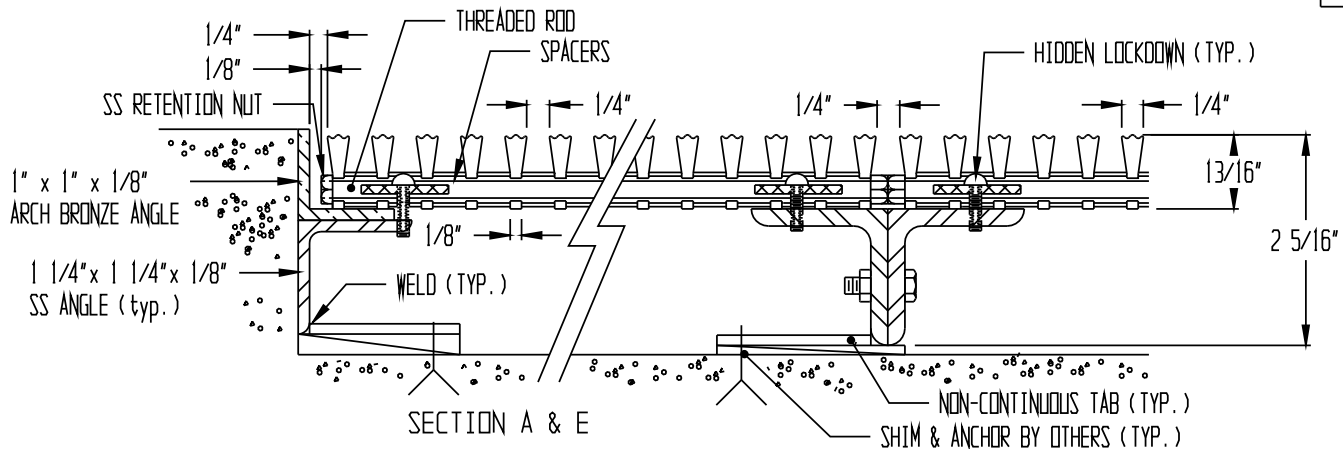
SHEET OF

KADEE
INDUSTRIES, INC.

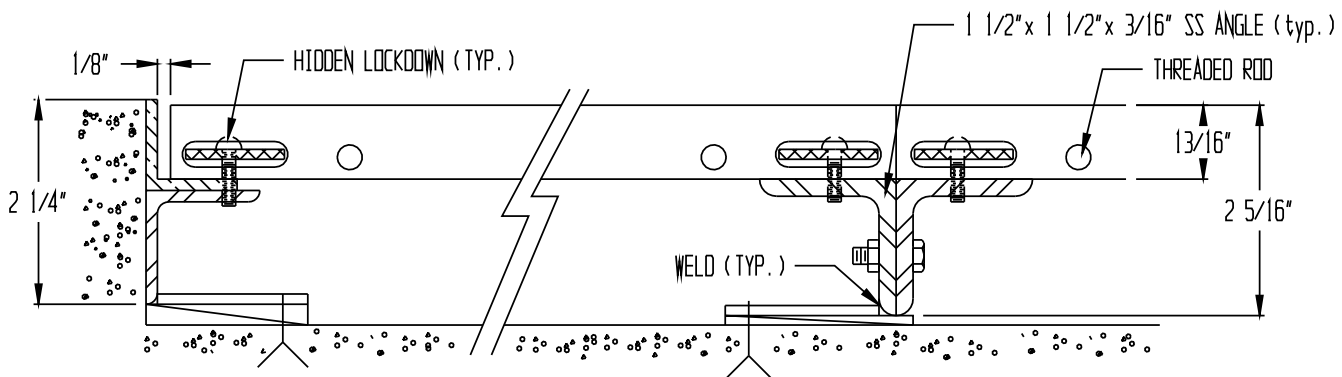
PROJECT:

7160 KRICK ROAD □ WALTON HILLS, OHIO 44146
(800) 321-3827 □ TEL (440) 439-8650 □ FAX (440) 439-6889

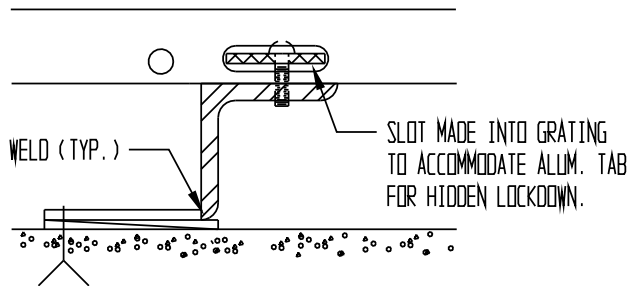
MODEL: KDBR Bronze Grating w/Hidden Locking Devices, Bronze Angle Frame, SS Legdown Frame - PIT APPLICATION



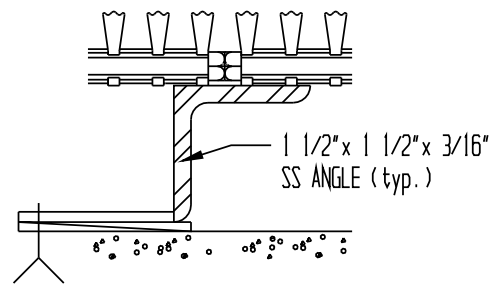
SECTION A & E



SECTION B & F



SECTION C



SECTION D

GENERAL SPECIFICATIONS: KDBR

CONSTRUCTION:

1. THE TREAD MATERIAL SHALL BE OF MILL FINISH EXTRUDED ARCHITECTURAL BRONZE ALLOY (C38500) WITH .815" X .25" BRONZE TREAD BARS ASSEMBLED WITH NYLON SPACERS AND 1/4" THREADED STAINLESS STEEL RODS AND NUTS.
2. STANDARD SLOT OPENING SHALL BE 1/4".
3. SPACING OF STAINLESS STEEL THREADED RODS TO BE 10" ON CENTER (typical).
4. HIDDEN LOCKING DEVICES WILL FASTEN GRATING TO THE FRAME.
5. FRAMES: ARCHITECTURAL BRONZE (ALLOY C38500)
6. MANUFACTURING TOLERANCES
 GRATE -- +0/- .250"
 FRAME -- +0/- .125"

