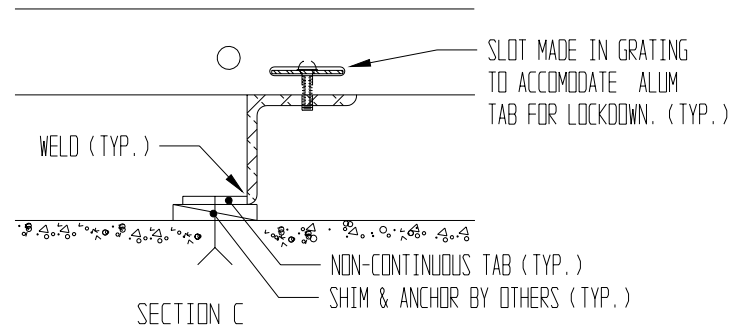
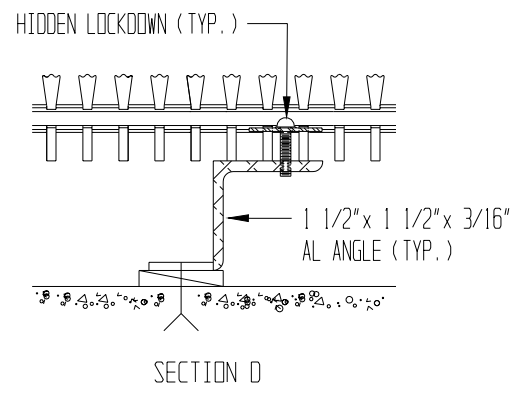
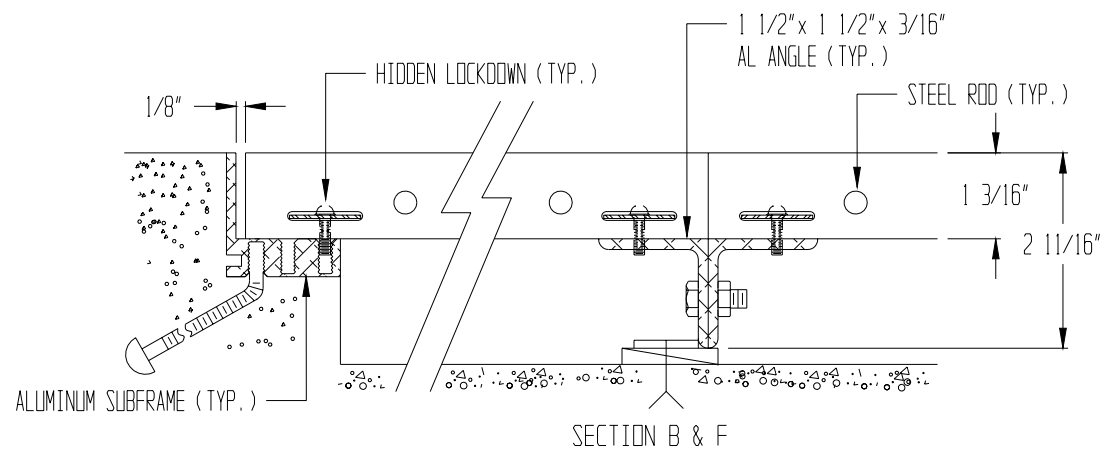
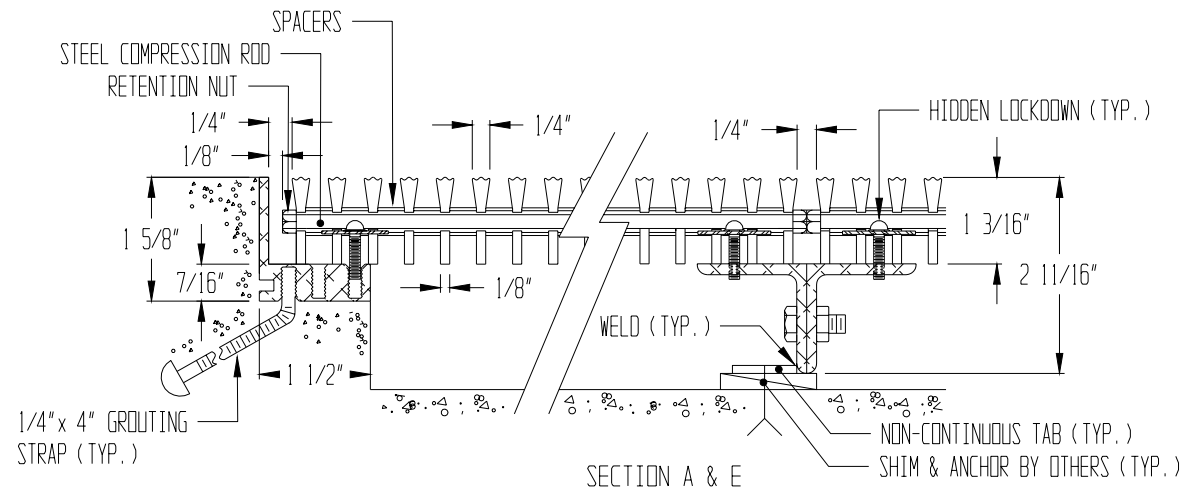


PROJECT :
 KDAL Alum Bar Grating w/Hidden Locking Devices, Alum Subframe - PIT APPLICATION



GENERAL SPECIFICATIONS: KOAL

CONSTRUCTION:

1. THE TREAD MATERIAL SHALL BE OF MILL FINISH ARCHITECTURAL ALUMINUM WITH 1.175" X .25" ALUMINUM TREAD BARS SPACED WITH SPACERS AND ASSEMBLED WITH 1/4" THREADED STEEL RODS AND NUTS.
2. STANDARD SLOT OPENING SHALL BE 1/4".
3. SPACING OF STEEL RODS TO BE 10" ON CENTER.
4. TOLERANCE ON GRID IS +0/- .250"

FRAMING:

1. ALUMINUM ALLOY, HIDDEN LOCKING DEVICES WILL FASTEN GRATING TO THE FRAME.
2. TOLERANCE ON FRAMING IS +0/- .125"

FRAME: MILL FINISH

