

DRAWN BY:

DATE:

JOB NO:

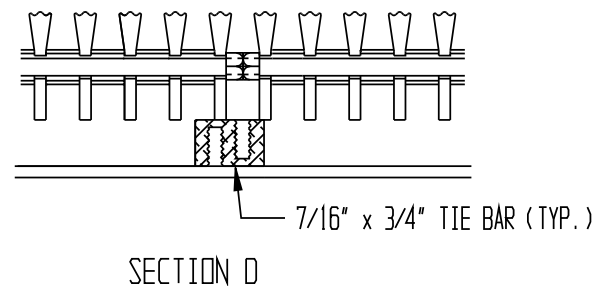
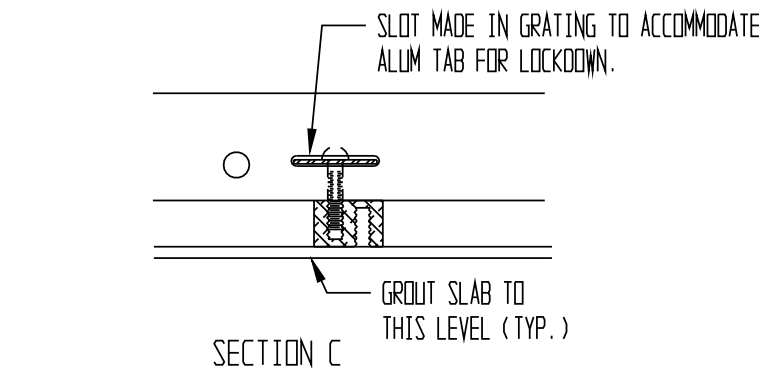
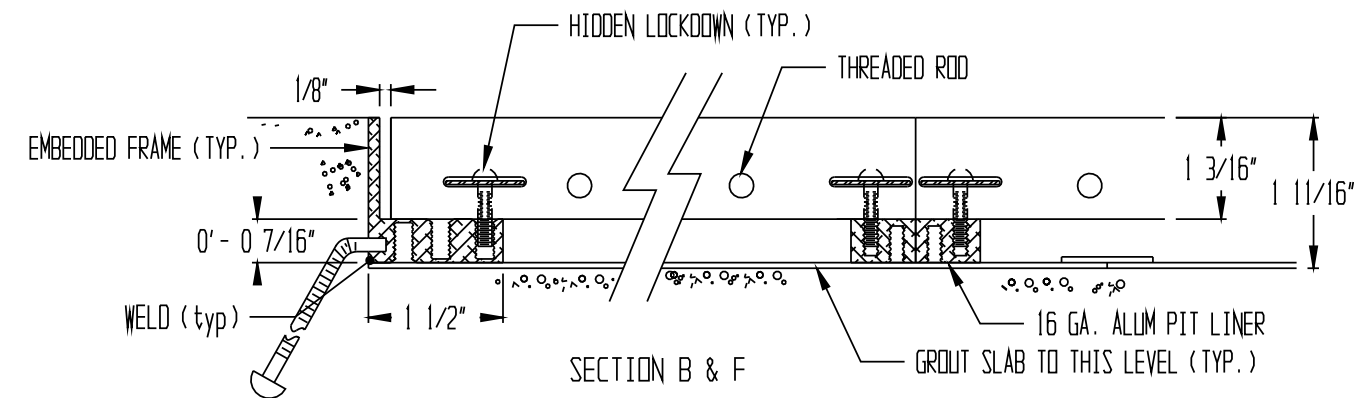
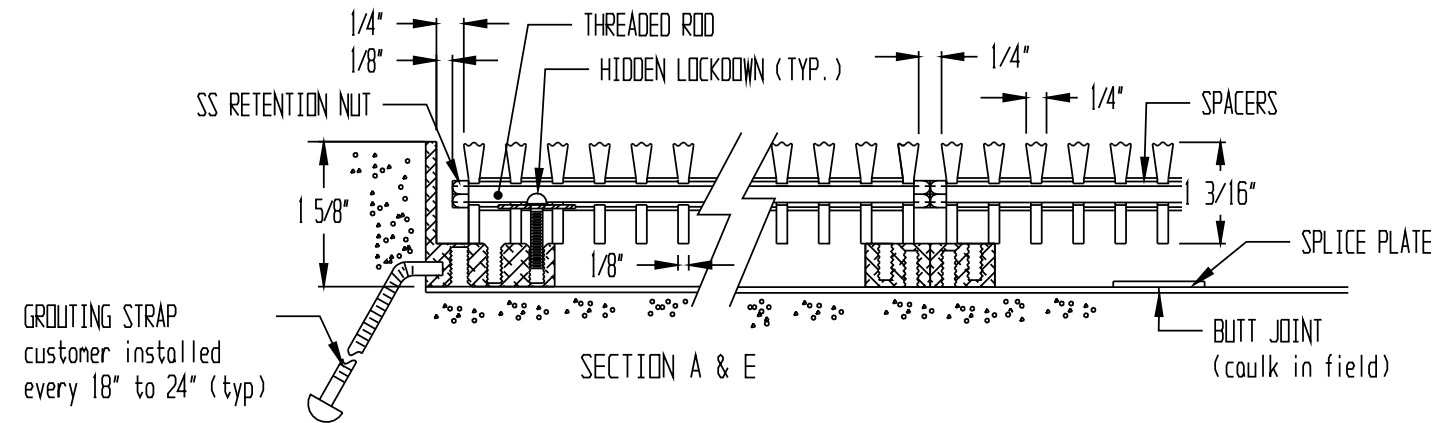
SHEET OF

KADEE
INDUSTRIES, INC.

7160 KRICK ROAD □ WALTON HILLS, OHIO 44146
(800) 321-3827 □ TEL (440) 439-8650 □ FAX (440) 439-6889

PROJECT:

MODEL: KDAL Alum Bar Grating w/Hidden Locking Devices, Embedded Alum Frame, Pit Liner - SHALLOW PIT



GENERAL SPECIFICATIONS: KDAL

CONSTRUCTION:

1. THE TREAD MATERIAL SHALL BE OF MILL FINISH EXTRUDED ALUMINUM ALLOY (6063-T6) WITH 1.175" X .25" ALUMINUM TREAD BARS ASSEMBLED WITH NYLON SPACERS AND 1/4" THREADED STAINLESS STEEL RODS AND NUTS.
2. STANDARD SLOT OPENING SHALL BE 1/4".
3. SPACING OF STAINLESS STEEL THREADED RODS TO BE 10" ON CENTER (typical).
4. HIDDEN LOCKING DEVICES WILL FASTEN GRATING TO THE FRAME.
5. FRAMES: EXTRUDED ALUMINUM (ALLOY 6063-T6)
6. MANUFACTURING TOLERANCES
 GRATE -- +0/- .250"
 FRAME -- +0/- .125"

GRATE: MILL
FRAME: MILL

