

DRAWN BY :

DATE :

JOB NO :

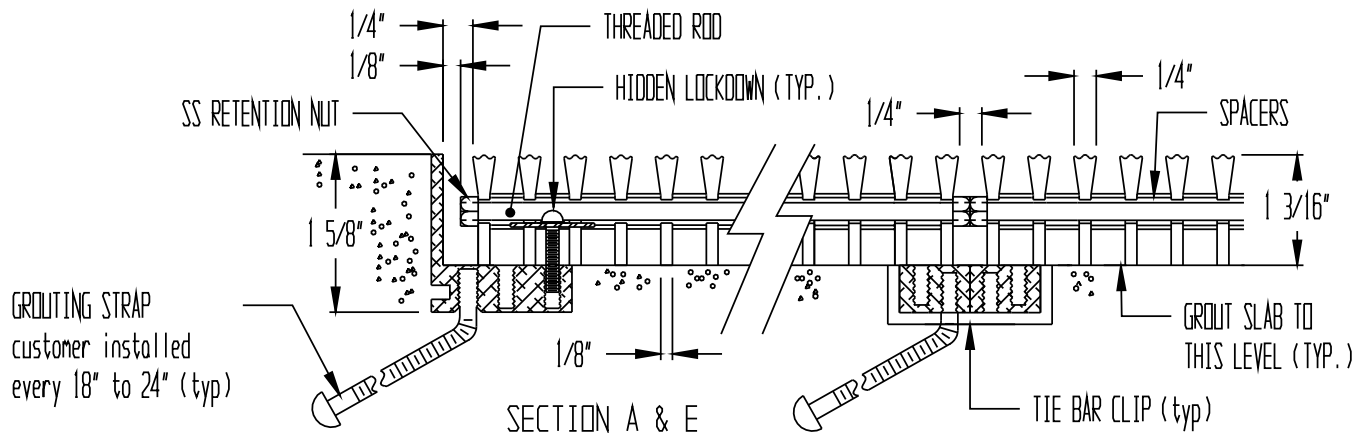
SHEET OF

PROJECT :

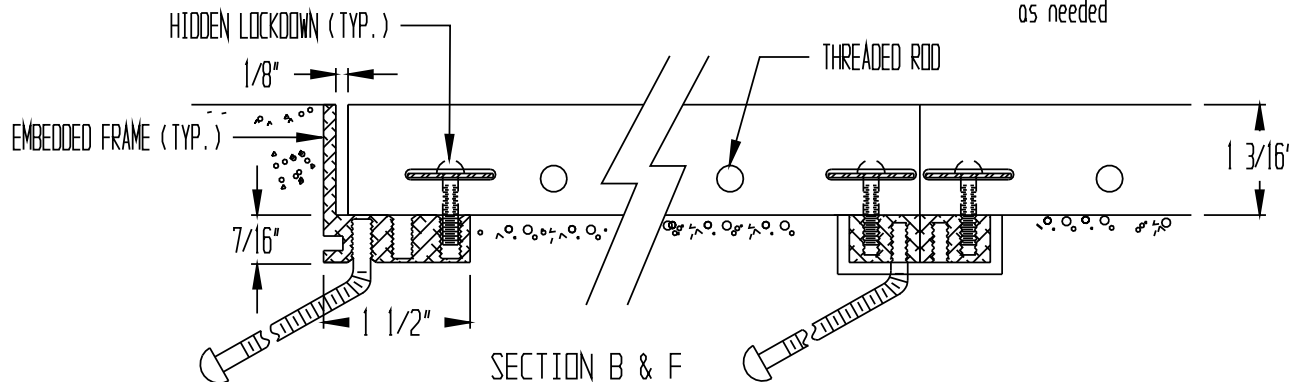
KADEE  
INDUSTRIES, INC.

MODEL: KDAL Alum Bar Grating w/Hidden Locking Devices, Embedded Alum Frame - LEVEL BED APPLICATION

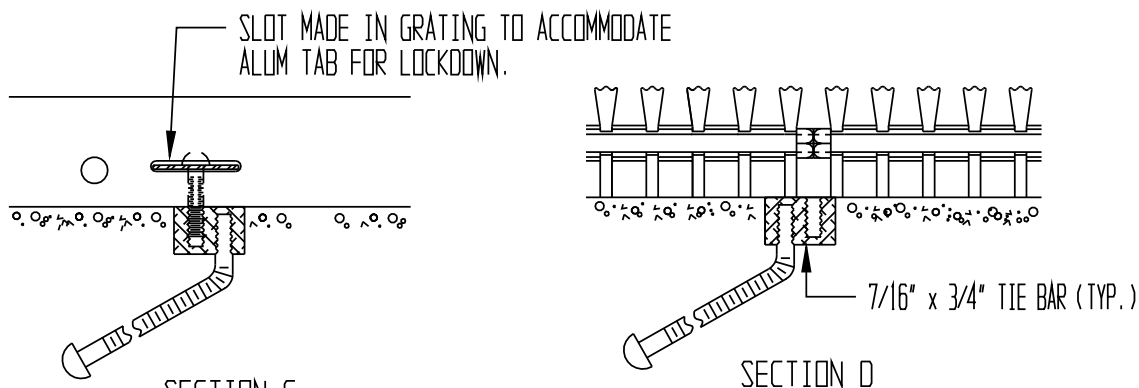
71 60 KRICK ROAD □ WALTON HILLS, OHIO 44146  
(800) 321-3827 □ TEL (440) 439-8650 □ FAX (440) 439-6889



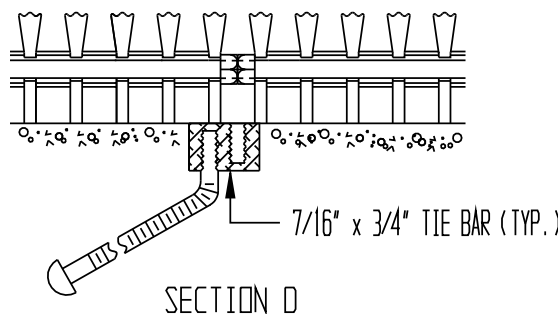
SECTION A & E



SECTION B & F



SECTION C



SECTION D

GENERAL SPECIFICATIONS: KDAL

CONSTRUCTION:

1. THE TREAD MATERIAL SHALL BE OF MILL FINISH EXTRUDED ALUMINUM ALLOY (6063-T6) WITH 1.175" X .25" ALUMINUM TREAD BARS ASSEMBLED WITH NYLON SPACERS AND 1/4" THREADED STAINLESS STEEL RODS AND NUTS.
2. STANDARD SLOT OPENING SHALL BE 1/4".
3. SPACING OF STAINLESS STEEL THREADED RODS TO BE 10" ON CENTER (typical).
4. HIDDEN LOCKING DEVICES WILL FASTEN GRATING TO THE FRAME.
5. FRAMES: EXTRUDED ALUMINUM (ALLOY 6063-T6)
6. MANUFACTURING TOLERANCES  
GRATE -- +0/- .250"  
FRAME -- +0/- .125"

GRATE: MILL  
FRAME: MILL

