

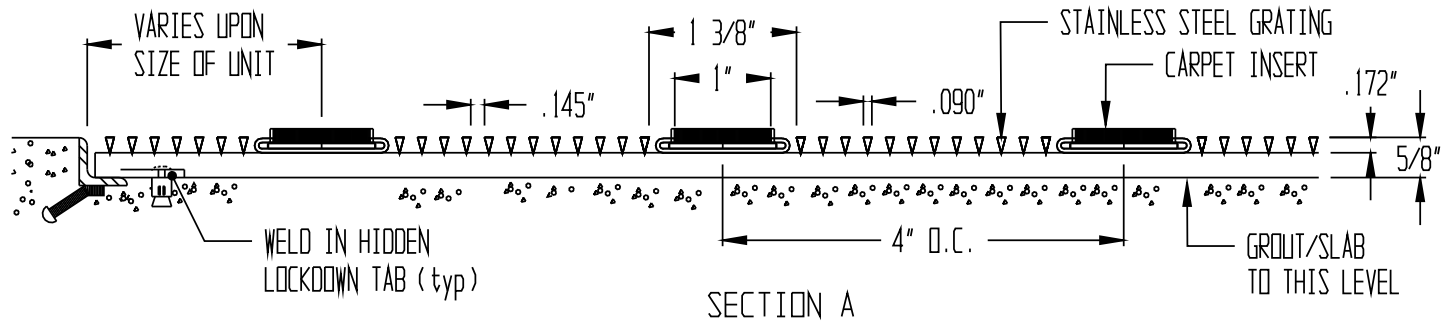
DRAWN BY:	DATE:	JOB NO:	SHEET OF
-----------	-------	---------	----------

KADEE
INDUSTRIES, INC.

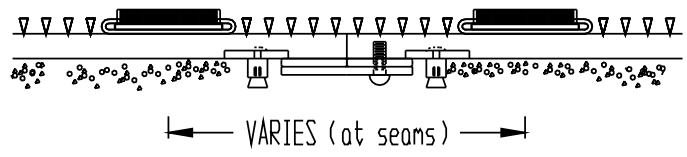
7160 KRICK ROAD □ WALTON HILLS, OHIO 44146
(800) 321-3827 □ TEL (440) 439-8650 □ FAX (440) 439-6889

PROJECT:

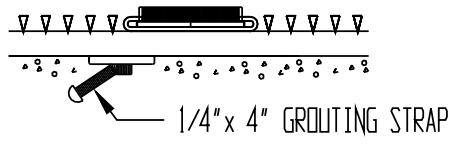
MODEL: ENTEC-58 SS Grating w/carpet inserts, Hidden Locking Devices, SS Frame



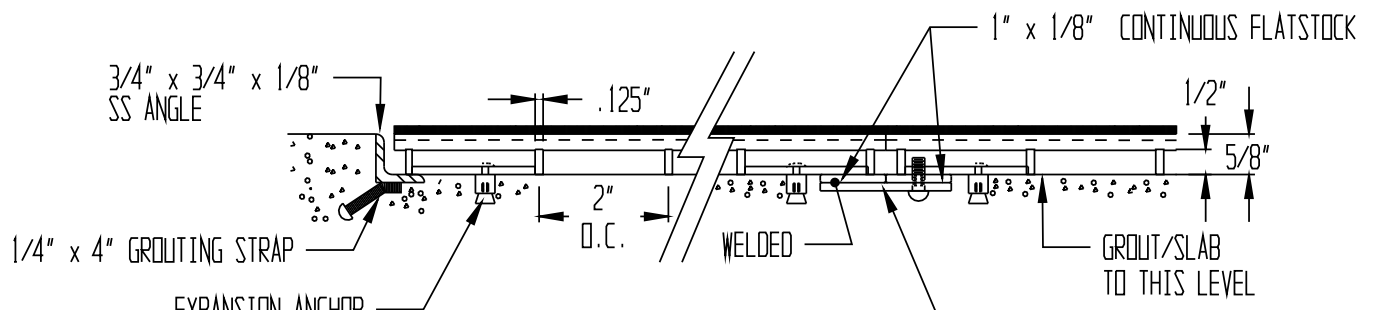
SECTION A



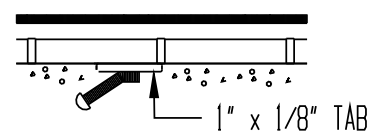
SECTION E



SECTION D



SECTION B & F



SECTION C

GENERAL SPECIFICATIONS: Entec-58

TREAD MATERIAL: TYPE 304 SS WIRE #4 SATIN FINISH
SUPPORT RODS: 0.125" x .5" SPACED 2" O.C.

SLOT OPENINGS: 0.145"
EACH JUNCTURE OF SURFACE WIRES TO SUPPORT RODS SHALL HAVE WELDED JOINTS

OVERALL DIMENSION TOLERANCES:
GRATING: +0, -.125" , FRAME: +0, -.125"

MANUFACTURING TOLERANCES:
ANSI/NAAMM A202.1-MBG 531

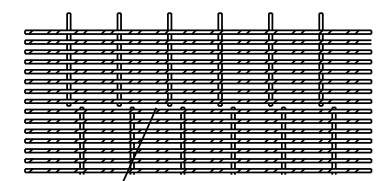
MATERIAL TOLERANCES:
ASTM A484/A484M APPLICABLE TO SS ANGLES
ASTM B221 APPLICABLE TO ALUM SHAPES

SPECIAL NOTES:
*GC/INSTALLER IS RESPONSIBLE FOR COPLANAR INSTALLATION OF MAT SURFACE TO SURROUNDING FLOOR CONDITIONS.

INSERT TRACK: TYPE 304 SS 1-3/8" CHANNEL SPACED 4" O.C.

CARPET: INSERTED TREADS ARE MADE OF 100% NYLON FIBER OR 100% POLYPROPYLENE, FUSION BONDED TO THE BACKING.

Carpet Color:



DETAIL A: SUPPORT RODS MAY NOT ALIGN

HIDDEN LOCKDOWNS ARE LOCATED AT STARS (*'S) ON GRATING. USE ALL LOCKDOWNS PROVIDED.
SEAMS IN GRATING MAY NOT ALIGN WITH SEAMS IN FRAMING IN ALL CASES.
NOTE: ENTEC 58 IS DESIGNED TO REST DIRECTLY ON THE RECESS FLOOR. (IT DOES NOT SPAN)