

DRAWN BY : XXX

DATE : XX/XX/XX

JOB NO : XXXXX

SHEET X OF X

PROJECT : XXXXXXXXXXXXXXXX E38 ALUM ANGLE FRAME STD.

MODEL : ENTEC-38 SS GRATING W/ CARPET INSERTS, HIDDEN LOCKING DEVICES, ALUMINUM ANGLE FRAME - LEVEL BED APPLICATION

# KADEE INDUSTRIES, INC.

7160 KRICK ROAD WALTON HILLS, OHIO 44146  
(800) 321-3827 TEL (440) 439-8650 FAX (440) 439-6889

### GENERAL SPECIFICATIONS : ENTEC-38

#### MAT INSERT :

NYLON CARPET : 100% NYLON 6, FUSION BONDED TO POLYPROPYLENE BACKING.

HEAVY DUTY CARPET : 100% POLYPROPYLENE FIBERS (80/20 BLEND OF 600/12 DENIER MULTIFILAMENT AND 595 DENIER MONOFILAMENT) FUSION BONDED TO POLYPROPYLENE BACKING

TREAD MATERIAL : TYPE 304 SS WIRE #4 SATIN FINISH

SUPPORT RODS : 0.281" DIA. SPACED 2" O.C.

SLOT OPENINGS : 0.130"

CONSTRUCTION: EACH JUNCTURE OF SURFACE WIRES TO SUPPORT RODS SHALL HAVE WELDED JOINTS

#### OVERALL DIMENSION TOLERANCES :

GRATING : + 0", - 0.125", FRAME : + 0", - 0.125"

#### MANUFACTURING TOLERANCES :

ANSI/NAAMM A202.1-MBG 531

#### MATERIAL TOLERANCES :

ASTM A484/A484M APPLICABLE TO SS ANGLES  
ASTM B221 APPLICABLE TO ALUM SHAPES

#### SPECIAL NOTES :

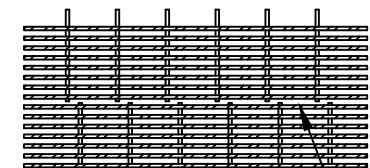
\* GC/INSTALLER IS RESPONSIBLE FOR COPLANAR INSTALLATION OF MAT SURFACE TO SURROUNDING FLOOR CONDITIONS.

INSERT TRACK : TYPE 304 SS 1 3/8" CHANNEL SPACED 4" O.C.

### NOTE :

FRAME FINISH : MILL

CARPET COLOR :

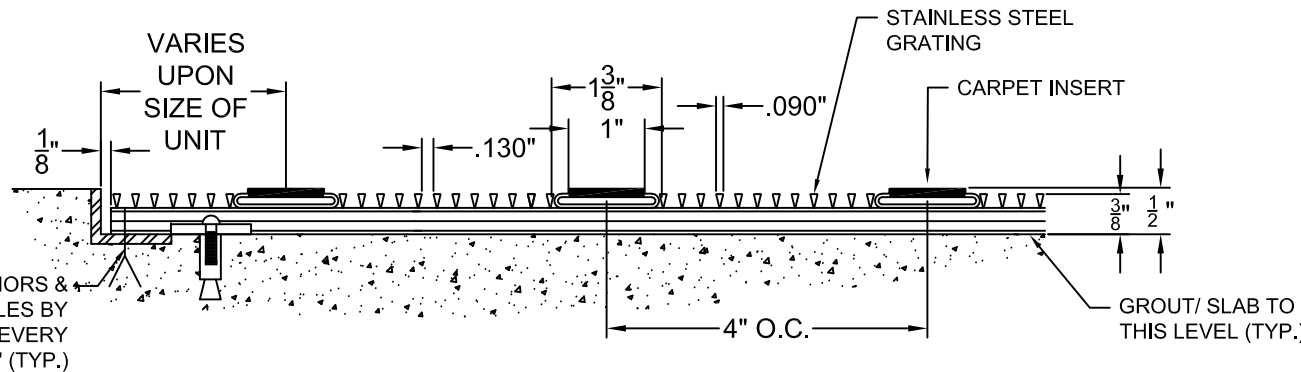


SUPPORT RODS MAY NOT ALIGN

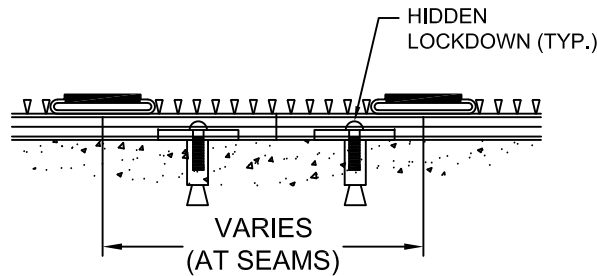
DETAIL A

NOTE : DO NOT SCALE DRAWING.

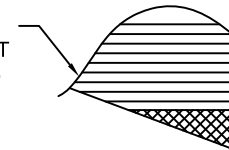
ENTE C 38 5/17/17



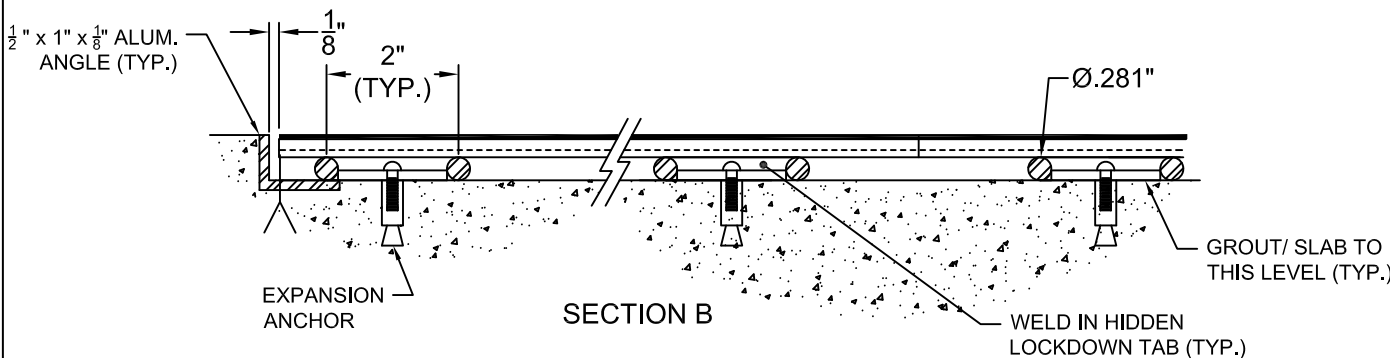
SECTION A



PRODUCT MAY NOT COME TO A COMPLETE POINT WELD IN FILLER (AS NEEDED)



DETAIL X



SECTION B

HIDDEN LOCKDOWNS ARE LOCATED AT STARS (\*S) ON GRATING. USE ALL LOCKDOWNS PROVIDED.  
SEAMS IN GRATING MAY NOT ALIGN WITH SEAMS IN FRAMING IN ALL CASES.  
NOTE : ENTEC-38 IS DESIGNED TO REST DIRECTLY ON THE RECESS FLOOR (IT WILL NOT SPAN).