

DRAWN BY:

DATE:

JOB NO:

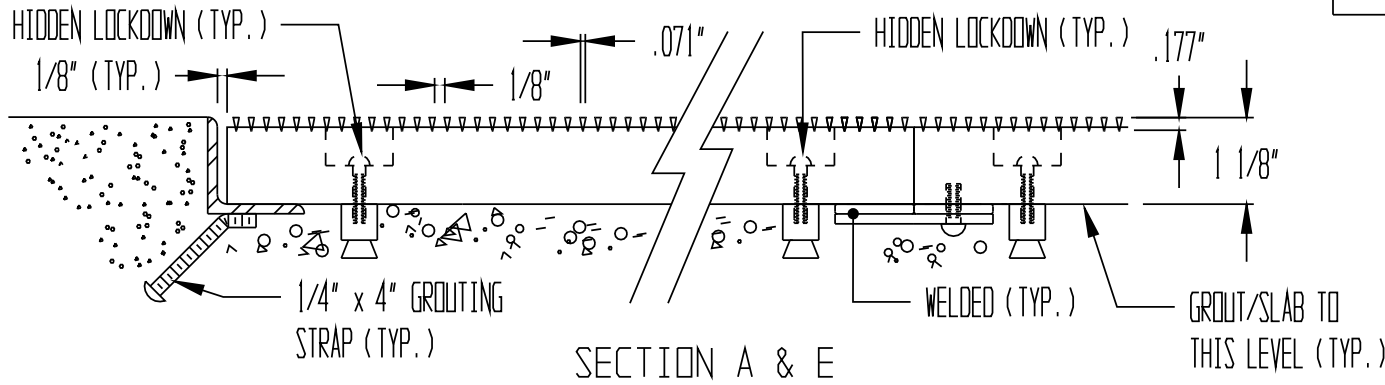
SHEET 2 OF 2

KADEE INDUSTRIES, INC.

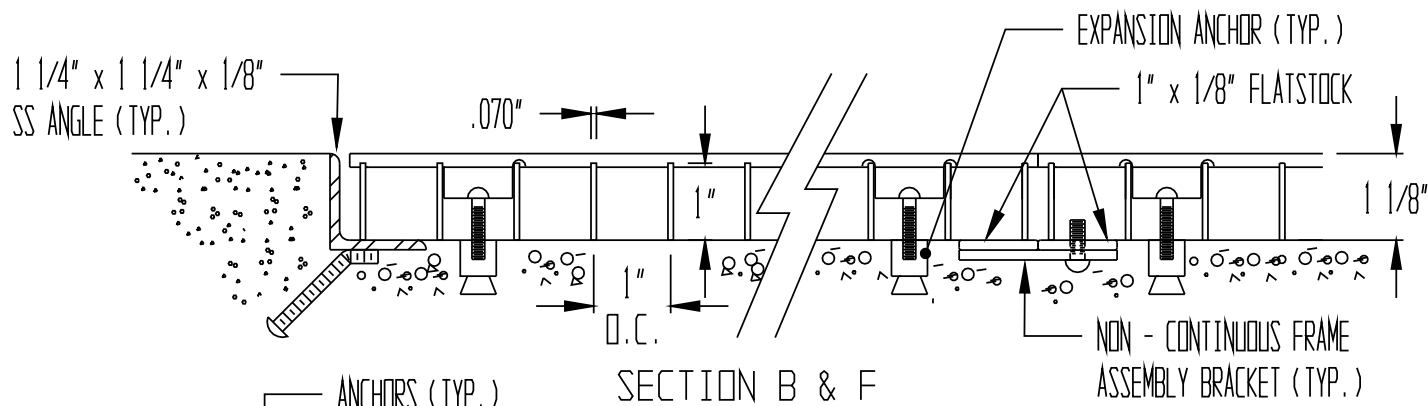
PROJECT:

MODEL: KD98 SS Grating w/Hidden Locking Devices, SS Frame - LEVEL BED APPLICATION

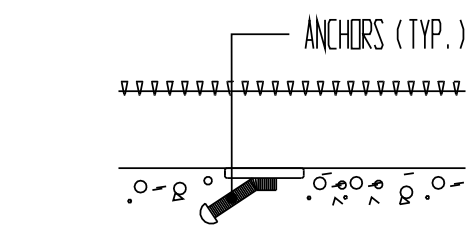
71 60 KRICK ROAD □ WALTON HILLS, OHIO 44146 (800) 321-3827 □ TEL (440) 439-8650 □ FAX (440) 439-6889



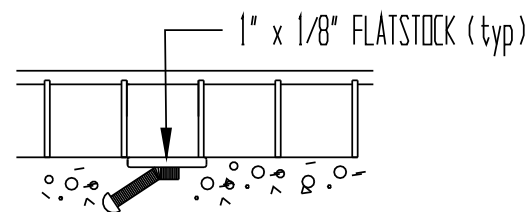
SECTION A & E



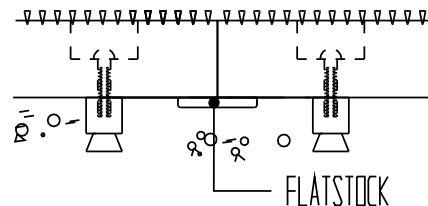
SECTION B & F



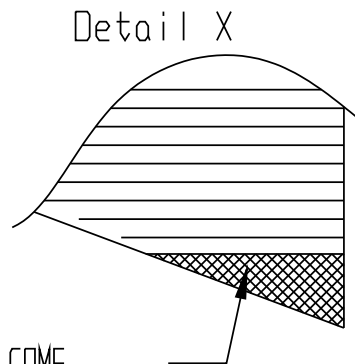
SECTION D



SECTION C



SECTION E1



Detail X

PRODUCT MAY NOT COME TO A COMPLETE POINT WELD IN FILLER (as needed)

GENERAL SPECIFICATIONS: KD98

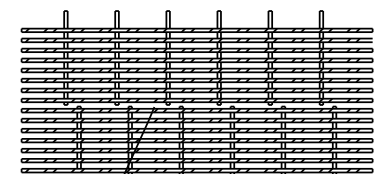
TREAD MATERIAL: TYPE 304 SS .071" x .177" #4 SATIN FINISH SPACED .125"; SPACING +/- .005. SUPPORT RODS: .070" x 1" SPACED 1" O.C. CONSTRUCTION: EACH JUNCTURE OF SURFACE WIRES TO SUPPORT RODS SHALL HAVE ELECTRIC RESISTANCE WELDED JOINTS.

OVERALL DIMENSION TOLERANCES: GRATING: +0, -.125", FRAME: +0, -.125"

MANUFACTURING TOLERANCES: ANSI/NAAMM A202.1-MBG 531 APPLICABLE TO: ON CENTER MEASUREMENT OF TREAD MATERIAL DIAGONAL MEASUREMENTS (SQUARE) TRANSVERSE BOW (BEFORE FASTENING) LONGITUDINAL BOW (BEFORE FASTENING)

MATERIAL TOLERANCES: ASTM A484/A484M APPLICABLE TO SS ANGLES ASTM B221 APPLICABLE TO ALUM SHAPES

SPECIAL NOTES: \* GC/INSTALLER IS RESPONSIBLE FOR COPLANAR INSTALLATION OF MAT SURFACE TO SURROUNDING FLOOR CONDITIONS \* GIVEN THAT THE NUMBER OF SURFACE WIRES (TREAD MATERIAL) IN ONE FOOT IS ABOUT SIXTY, IT IS PROBABLE THAT ADJACENT PANELS' WIRES WILL NOT ALIGN IN EVERY CASE. IN MOST CASES, THE WIRES WILL ALIGN FOR SEVERAL INCHES THEN APPEAR TO WALK. THIS IS AN UNAVOIDABLE MANIFESTATION OF THE MANUFACTURING PROCESS. THIS CONDITION APPLIES TO THE SUPPORT RODS AS WELL. SIMILARLY IN MITERED CORNERS, THE VARIANCES OF SLOTS WITHIN THE NORMAL TOLERANCE RANGES PRECLUDES GUARANTEED ADJACENT PANEL WIRE ALIGNMENT.



DETAIL A: SUPPORT RODS MAY NOT ALIGN