

SSS Clean Tread™

1 1/8" STAINLESS STEEL GRATING

SAFE, SELF-CLEANING, STAINLESS STEEL ENTRANCE SYSTEMS

Applications

- ENTRANCE GRILLES:
- LEVEL BED AND PIT APPLICATIONS
- TRENCH DRAIN GRILLES
- TREE GRATES
- FOUNTAIN / POOL GRATES
- REVOLVING DOORS
- AIR GRILLES

Specifications

Section 12 48 16 Entrance Floor Grilles

Furnish and install SSS Clean Tread KD98 Stainless Steel Grating as manufactured by Kadee Industries, Walton Hills, Ohio. Phone: (800) 321-3827

Construction:

Tread Material manufactured from Type 304 Stainless Steel .071" x .177" surface wires spaced with a .125" slot opening and resistance welded to .070" x 1.0" Type 304 Stainless Steel support rods spaced 1" on center.

Construction Each juncture of surface wires to support rods shall have electric resistance welded joints. Hidden or visual locking devices are provided to fasten grating.

Framing 6063-T6 Extruded Aluminum or Type 304 Stainless Steel. Custom pit liners are available in aluminum or stainless steel for drainage or evaporation applications.

Warranty 5 years - details on back cover.

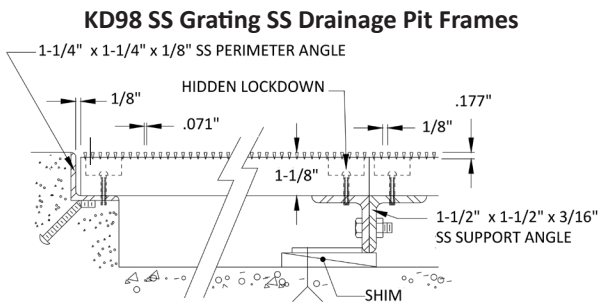


Durable, Practical with the long-lasting beauty of stainless steel

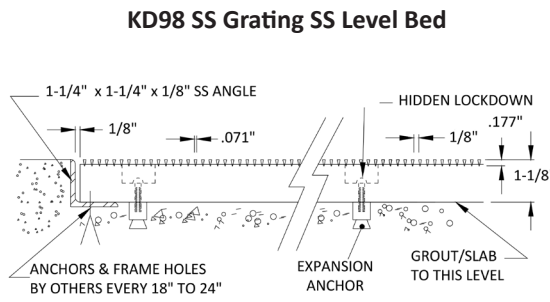
- Specifically designed to span up to 3'0" without supports, with the ability to withstand a live load of 500 lbs. per square foot. Perfect for drains and trenches.
- Wires are evenly spaced providing safe support for high heels, canes, wheelchairs, crutches and other walking aids.
- Custom designs available to fit almost any application.
- 59.9% air flow, great for registers.
- Self-cleaning design reduces regular maintenance costs.
- Slip Resistant with a minimum Coefficient of Friction of 0.6 in dry and wet testing.

LEED Information

Environmental concerns are an important consideration to specifiers making material selections for products. Stainless steel's long service life and 100% recyclability make it an excellent environmental performer. Kadee Industries' SSS Clean Tread Stainless Steel Grating is manufactured from stainless steel comprised of 80% post consumer recycled content and 15% pre-consumer recycled content.



Section A & E



Section A & E

